

RADIATION ADVISORY COMMITTEE



Barbara Smith, Chair

David Howe, RPS Program Director

February 14, 2024



TELECONFERENCE PROCEDURES



- Record phone-in number and pass code (in case you lose connectivity)
- Phone-in number and conference ID# provided in Teams invitation email
- If phoning into meeting, use PowerPoint slides to follow meeting
- To unmute self, press *6



- Video (of yourself) is optional
- Please mute your microphones unless speaking
- Use the “raise hand” feature if you have a question
- When speaking, begin by stating your name when you are finished
- RPS staff will use screen share to share PowerPoint information and handouts
- The meeting will be recorded for purposes of accuracy in the minutes

RADIATION ADVISORY COMMITTEE MEETING AGENDA

February 14, 2024 – Hybrid Meeting

800 NE Oregon St., Portland, Oregon

Phone-In Number 1-971-277-2343 ID: 456 616 125#

(* = Action Items)

10:00 a.m. Registration/Public Session

- Call Meeting to Order – Barb Smith, Chair
- Introduction of guests
- Approval of Minutes – Barb Smith
- * Reappointment of RAC Members – Dr. David Hamby and Robert “Bob” Berry

10:30 a.m. 2023 RPS Annual Summary – David Howe

Program Updates

- RPS Budget – David Howe, Program Director, RPS
- Electronic / Tanning Products Update – Hillary Haskins, Operations Manager, RPS
- Radioactive Materials Licensing – Hillary Haskins
- Emergency Response / Incidents – Hillary Haskins
- RPS Training – Hillary Haskins
 - G-109 State Delivered Licensing Course
 - NRC Intern Rotation Completion
- 2024 Priorities – David Howe

BREAK

11:15 a.m. Exemptions/Rules/Statutes

- * Blue Pearl Vet - CVT operators – David Howe
- * SkinVet Clinic – CVT operators – David Howe
- * Emergency Veterinary Hospital – David Howe
- ODOE updating waste rules – Hillary Haskins
- Updated DOT Special Permit forms – Hillary Haskins
- Discussion for Dental CT Documentation by Oral or Maxillofacial Radiologist – David Howe/Dr. Sousa Melo
- Discussion of Rectangular vs. Circular Collimation Possible OAR Revision – Michelle Martin, Health Physicist/Dr. Sousa Melo
- MQSA Information Bulletin 2023-02 Re: New Dense Breast Tissue Notification Language – Michelle Martin
- Update: Required Tanning Facility Operator Training- Mandy Henrikson

Legislative Bills

- 2024 Short Session (Feb 5th to March 10th) – David Howe

Rulemaking

- X-ray Signage vs. Radiation Area – Todd Carpenter, Licensing Manager, RPS
- Potential Rulemaking Regarding Non-Radiological Practitioner Fluoroscopy Training – Todd Carpenter
- Potential Rulemaking Items – Todd Carpenter

11:45 a.m. Lunch

12:15 p.m. Emergency Preparedness/Response

- CGS Hanford Exercise, Feb. Dress Rehearsal (Full Exercise in March) – Tom Pfahler, Health Physicist, RPS
- Incidents:
 - 4 therapy events at different facilities – Michelle Martin
 - Tuality-Hillsboro Medical Center – Final Order Re: Exceeded Annual Dose Limit – Hillary Haskins
 - Microsphere Medical Event – Michelle Martin
- Metro Interagency Agreement Revision – Todd Carpenter
- ODOE/RPS Interagency Agreement for RPS/ERT Training and First Responder-Receiver Training – Todd Carpenter
- Health, Security and Preparedness Response Program Monies for ERT Member Electronic Dosimetry Purchase – Todd Carpenter

12:45 p.m. New Business


- 2024 Mandatory RAC Member Training – David Howe

1:30 p.m. PUBLIC COMMENTS:

2:00 p.m. Announcements \\ Next meeting scheduled for June 12, 2024 /Adjourn

INTRODUCTION OF GUESTS





[This Photo](#) by Unknown Author is licensed under [CC BY-NC-ND](#)

APPROVAL OF MINUTES FROM OCTOBER 11, 2023



Radiation Advisory Committee Meeting

**2024 RAC
MEMBER
CANDIDATE
REAPPOINTMENT**

Dr. David Hamby
2024-2027 Term

Bob Berry
2024-2027 Term

2024 ANNUAL SUMMARY REPORT



RPS BUDGET

DAVID HOWE
PROGRAM DIRECTOR

1 EHS3 vacant position

- *Created by Hillary Haskins promotion to Operations Manager*

New SEIU contract increases payroll expenses

- *2 COLA's during contract period*

RPS budget is stable (cost vs. revenue) for existing staff

Formal budget analysis pending with fiscal staff (June 2024)



ELECTRONIC / TANNING PRODUCTS UPDATE

10

- Hillary Haskins
Operations Manager





ELECTRONIC PRODUCTS

Hillary Haskins
Operations Manager



X-Ray Inspections 2023 Year In Review

Year	Facilities Inspected	Machines Inspected	Tubes Inspected	Number of Violations
2023	987	3,536	3,547	255
2022	556	2,074	2,117	213
2021	326	1,345	1,422	91

2023 Violation Summary:

- Operator's protected area shall provide visual indication of patient during exposure
- Operators must complete machine specific applications training
- Machine must be capable of functioning at manufacturer's intended specification

2023 Exemption Summary:

- 31 exemptions processed in 2023
- 11 were for vet clinics for CT machines



ELECTRONIC PRODUCTS

Hillary Haskins
Operations Manager

Tanning 2023 Year in Review

Year	Inspections
2023	92
2022	99
2021	22

- Tanning Violation Summary
 - Timer not checked annually
 - Emergency stop not checked annually
 - Trained operator not present



2023 RADIOACTIVE MATERIALS LICENSING SUMMARY

Hillary Haskins
Operations Manager



Count	Type
37	Change RSO/AU
29	Renewal
11	Termination
10	Add/remove source
7	Change Address/ Company name
3	Financial Assurance
2	New
4	Other
103	Total



2023 RML INSPECTIONS & VIOLATIONS

Hillary Haskins
Operations Manager



93 inspections performed
20 Facilities issued Notice of Violations

SL 1	SL2	SL3	SL4	SL5
0	0	8	18	7

Count	Rule #	Description
8	120-0020	Annual audit not conducted
5	116-0160	Dose Calibrator, Medical Events not reviewed
4	120-0460	Leak tests not performed
4	118-0050	HAZMAT initial/3-year refresher training
3	120-0200	Equipment calibration
3	102-0305	6-month inventory/postings
2	111-0010	Rad safety training
7		Various

2023 EMERGENCY RESPONSE/ INCIDENTS

Hillary Haskins
Operations Manager

Count	Description
17	Scrap Monitor Alarm
17	Waste Monitor Alarm
12	Medical Event
7	Complaints/allegations
4	Theft/damaged sources
3	Prank
2	Accelerator patient overdose
5	Other
67	Total

Featured incidents

- Stolen Gauge
- Lu-177 found in various waste facilities,
 - appears as plutonium on older RIIDs
- Lu-177 patient passed away within 24 hours of receiving treatment
- Therapy/Accelerator – treated wrong area on multiple fractions





RPS TRAINING



Hillary Haskins,
Operations Manager

TRAINING AND CONFERENCES

HILLARY HASKINS
OPERATIONS MANAGER

- **Training**
 - Radiological Emergency Response Operations (RERO)
 - Nuclear Regulatory Commission (NRC)
 - Incident Command System (ICS)
 - State Delivered NRC Licensing (G-109) and Inspection Procedures (G-108) courses
- **Conferences** (attended in-person and on-line)
 - Radiological Assistance Program (RAP) – US Department of Energy
 - Organization of Agreement States (OAS)
 - Conference of Radiation Control Program Directors (CRCPD)
- **NRC Internship** – RPS hosting agency



2024 PRIORITIES

David Howe

2024 PRIORITIES

DAVID HOWE
PROGRAM DIRECTOR

Successful NRC Periodic Meeting (Informal Audit)

Professional Development Opportunities for RPS Staff

Finalization of “2024 PHD State Radiological Emergency Response Plan”

Acquisition of Personal Electronic Dosimetry for ERT Members

Fully integrated databases for licensing, inspections and incidents

- Full electronic documentation

Take a Break





EXEMPTIONS / RULES / STATUTES

Exemptions – Request for CT in Veterinary Facility

David Howe
Program Director

- New CT Machines for each facility
 - Confirmed shielding study, physics report, floor plan with proposed use of machine
- All had New Operators Approved - Certified Veterinary Technicians (CVT) and Veterinarians (DVMs)
 - Confirmed Oregon License
 - Confirmed Vendor Applications Training
 - Confirmed Medical Imaging Consultants (MIC) CT Training

Exemptions – Request for CT in Veterinary Facility

David Howe
Program Director

Use of CT in Veterinary Facilities with Approved Operators at the Following:

- Blue Pearl Vet
- SkinVet Clinic
- Emergency Veterinary Hospital

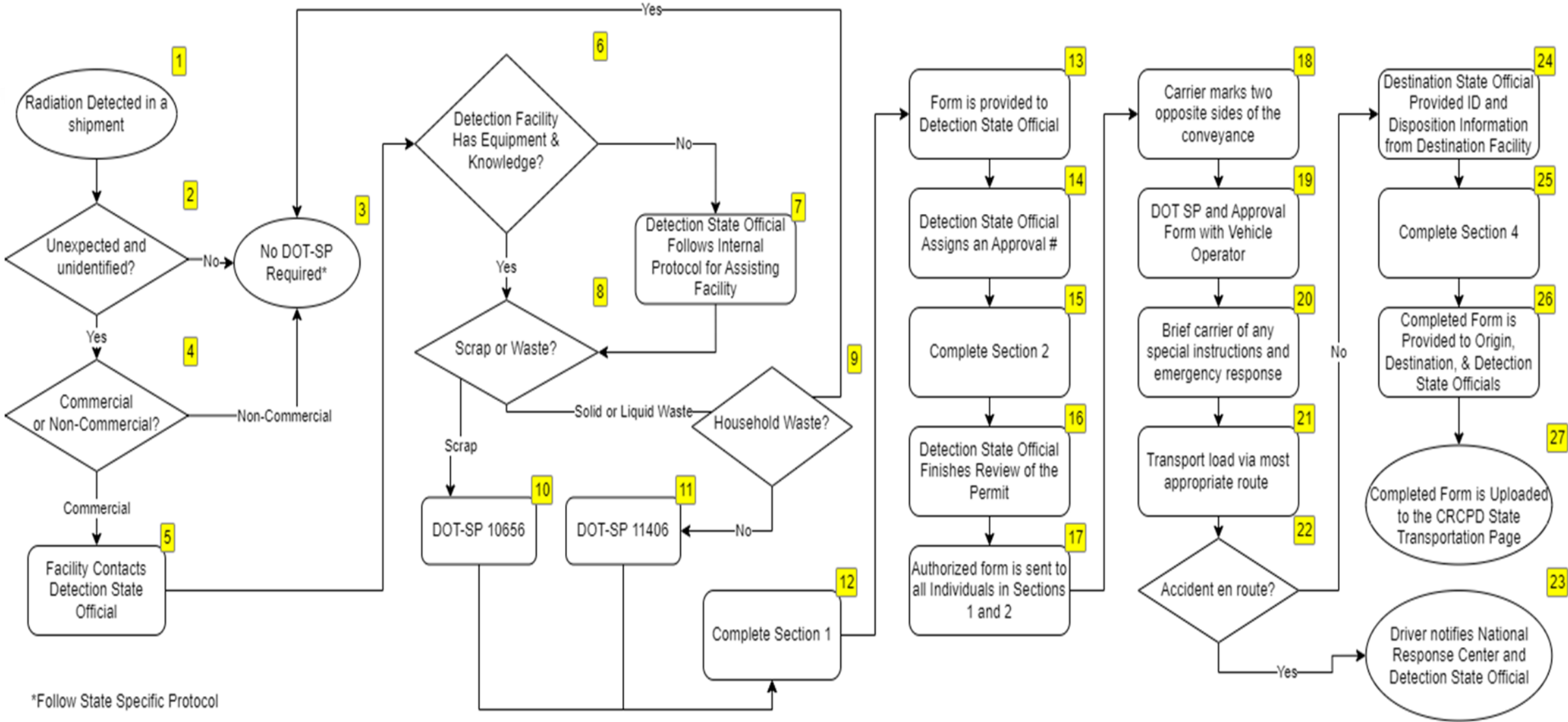
Oregon Department of Energy (ODOE) updated waste rules

Hillary Haskins
Operations Manager



- **OAR 345-050-0006:** This rule change updates the language to reflect changes to 469.525 and to clarify temporary storage exclusions
- **OAR 345-050-0010:** Changes made in (5)(a)-(d) fix the discrepancy between practicable disposal timeframes and the existing "7 day" rule
- **OAR 345-050-0020:** This rule change is a reorganization of exempt quantities
 - The current rules have an expectation which states that all isotopes in a decay chain are at equilibrium, i.e., both parents and daughters are roughly the same concentration. However, in certain petroleum processing settings, staff and stakeholders have identified wastes that are out of equilibrium and enriched in one of the daughter isotopes, lead-210. Lead-210 and its daughter polonium-210 comprise the highest risk driver for exposure by consumption of material that has made its way into plants. The addition of a lead-210 exemption for petroleum products when it is outside of equilibrium would eliminate a potential loophole in the rules that could adversely impact a member of the public if the waste is land-spread.
- **OAR 345-050-0025:** This rule change is a reorganization of exempt quantities
- **OAR 345-050-0030:** This rule was modified for clarity via a reorganization of exemptions
 - Changes to (3) added animals to the burial specific exemption to account for a rise in radiotherapy in veterinary use.
 - Changes to (4) add an exemption for metabolized medical treatment isotopes, provided the landfill has an approved plan in place. Plans will be approved by ODOE staff in consultation with OHA. This type of waste is primarily soiled diapers from patients receiving radio-medicine treatments. This is an important issue for landfill operators, which are routinely receiving such waste in loads of municipal solid waste. Current practice is for site workers to manually sort through piles dumped from trash trucks to identify and isolate bags containing soiled diapers. Commonly used medical isotopes quickly decay to low levels of radioactivity. It is safer for workers at landfills to be able to dispose of such waste in compliance with an approved plan once the isotope is identified and poses little to no risk to the environment after disposal.

DOT-SP Process Overview



*Follow State Specific Protocol

Department of Transportation Special Permits

Helpful Links

Hillary Haskins
Operations Manager



- Title 49 of the Code of Federal Regulations, Parts 100-185
<https://www.ecfr.gov/current/title-49/subtitle-B/chapter-I> (accessed 12/2023)
- CRCPD Transportation Page
<https://www.crcpd.org/page/transportation> (accessed 12/2023)
- DOT-SP 11406 Letter of Interpretation Ref. No. 04-0197
<https://www.phmsa.dot.gov/regulations/title49/interp/04-0197> (accessed 12/2023)
- CRCPD DOT-SP Authorized User List
<https://cdn.ymaws.com/www.crcpd.org/resource/resmgr/docs/transportation/auth-reg-rev.pdf> (accessed 12/2023)
- DOT-SP 10656 Form and Marking
https://cdn.ymaws.com/www.crcpd.org/resource/resmgr/docs/transportation/dot-sp_10656_revision_2023.pdf (accessed 12/2023)
- DOT-SP 11406 Form and Marking
https://cdn.ymaws.com/www.crcpd.org/resource/resmgr/docs/transportation/dot-sp_11406_revision_2023.pdf (accessed 12/2023)

Discussion: Dental CT Documentation by Oral or Maxillofacial Radiologist

David Howe

Dr. Saulo Sousa Melo

The merits of every cone-beam CT scan (aka dental CT) being read by a well-versed dentist or, ideally, by an Oral & Maxillofacial Radiologist, including comprehensive documentation of the findings.



Is this a matter for State Radiation Advisory Committee possible referral to the Oregon Board of Dentistry?

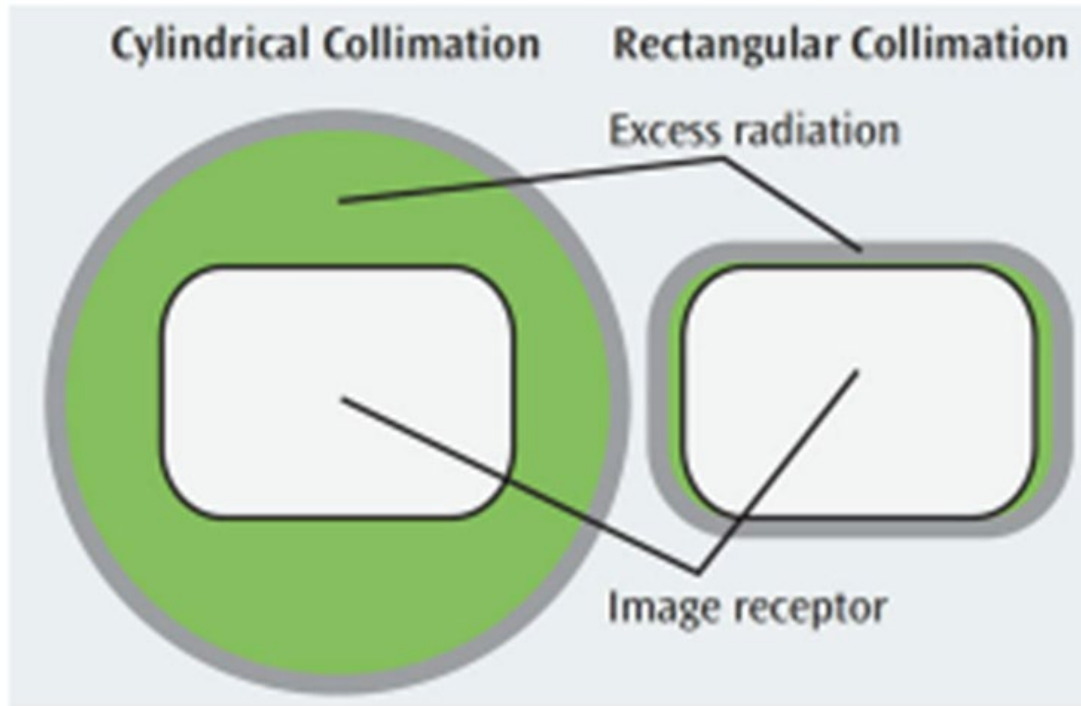
Rectangular vs. Circular Collimation Possible Oregon Administrative Rule Revision

Michelle Martin,
Health Physicist
&
Dr. Saulo Sousa Melo

CIRCULAR VS. RECTANGULAR COLLIMATION FOR DENTAL INTRA-ORAL UNITS

- Current Rules reference circular and/or rectangular collimation depending upon SSD.
- **333-106-0325**
Additional Requirements for Radiographic Machines: Intraoral Dental Radiographic Systems
- In addition to the provisions of OAR 333-106-0010 through 333-106-0101, the requirements of this rule apply to X-ray equipment and facilities where intraoral dental radiography is conducted. Requirements for extraoral dental radiographic systems are covered in OAR 333-106-0301 through 333-106-0320. Intraoral dental radiographic systems must meet the following requirements:
 - (2) Beam Limitation. Radiographic systems designed for use with an intraoral image receptor shall be provided with means to limit the X-ray beam such that:
 - (a) If the minimum source-to-skin distance (SSD) is 18 centimeters or more, the X-ray field, at the minimum SSD, **shall be containable in a circle having a diameter** of no more than seven centimeters; or
 - (b) If the minimum SSD is less than 18 centimeters, the X-ray field, at the minimum SSD, **shall be containable in a circle or rectangular cone having a diameter** of no more than six centimeters.

CIRCULAR VS. RECTANGULAR COLLIMATORS - CONTINUED



- March 22, 2023 – OHSU was granted an exemption to replace circular collimators with rectangular collimators
- The exemption was granted with the following conditions:
 - 1. Due to the rectangular X-ray field being less than the circular X-ray field, a position indicating device (PID) must be used for each exam due to the high rate of X-ray cutoff from rectangular cones.
 - 2. Since the OHSU Dental School is not an Oregon licensed vendor, only a licensed vendor with RPS will be allowed to switch-out the cones, due to the large number of machines and the potential of misalignment resulting in X-ray cutoff.

CIRCULAR VS. RECTANGULAR COLLIMATORS - CONTINUED

- Current RPS rules provide the option to use circular or rectangular collimators (depending upon SSD)
- There is a proposal to only allow rectangular collimators

MQSA

New Dense Breast Tissue Notification Language

Michelle Martin
Health Physicist

FDA-Final Rule to Amend the Mammography Quality Standards Act (MQSA)

- Beginning Sept. 10, 2024, the MQSA regulations will have certain **additional** requirements and MQSA inspectors will also look for new items including (**refer to final rule for further details**):
 - One of the additional requirements refers to dense breast language.
- New FDA Rules do not align with current RPS Rules
 - New FDA Rules
 - Has 2 statements for Dense Breast Notification – has to be stated verbatim
 - [Low Dense Breast Notification](#)
 - [Dense Breast](#)
 - Current Oregon Rules
 - Do we (Oregon) require both FDA and Oregon statements in lay letters? No, due to confusion for patient
- RPS released an [Information Bulletin \(2023-02\)](#) on October 12, 2023
 - Subject: Pending Mandatory Dense Breast Tissue Notification Language
 - In 2013, Oregon Senate Bill established Oregon Revised Statute 431A.50 which mandates healthcare facilities offering mammography services to provide notification to patients with dense breast.
 - OAR 333-106-0735 – specific language is required in the lay summary mammography report issued to patient.
- RPS granted facilities the option to use the existing Oregon OAR or utilize the new FDA notifications. After Sept 10, 2024, all must be using the FDA notifications.
- Final rule may be accessed online at <https://www.federalregister.gov/documents/2023/03/10/2023-04550/mammography-quality-standards-act>

UPDATE:

Required Tanning Facility Operator Training

Mandy Henrikson
COO of Palm Beach Tan





**LEGISLATIVE BILLS
2024 SHORT SESSION
FEBRUARY 5TH –
MARCH 10TH**



RULEMAKING

X-RAY SIGNAGE VS. RADIATION AREA

TODD CARPENTER
LICENSING MANAGER



Proposed and Effective Oregon Administrative Rules

(72) "Radiation area" means individuals exposed to radioactive materials and receiving a dose equivalent in excess of the following limits:

- a) "Radiation area" accessible to individuals, in which radiation levels could result in an individual receiving a dose equivalent in excess of 0.05 mSv (0.005 rem) in one hour at 30 centimeters from the radiation source or from any surface that the radiation penetrates.
- b) "High radiation area" means an area, accessible to individuals, in which radiation levels from radiation sources external to the body could result in an individual receiving a dose equivalent in excess of one mSv (0.1 rem) in one hour at 30 centimeters from the radiation source or 30 centimeters from any surface that the radiation penetrates.
- c) "Very high radiation area" means an area, accessible to individuals, in which radiation levels from radiation sources external to the body could result in an individual receiving an absorbed dose in excess of five gray (500 rad) in one hour at one meter from a source of radiation or from any surface that the radiation penetrates. At very high doses received at high dose rates, units of absorbed dose, gray and rad, are appropriate, rather than units of dose equivalent, sievert and rem.

NON-RADIOLOGICAL PRACTITIONER FLUOROSCOPY TRAINING

TODD CARPENTER
LICENSING MANAGER

- Rule – OAR 333-106-0205(4)(c) – Radiologic Technologists who have a permanent or temporary license from OBMI to practice radiography may operate fluoroscopic equipment **under the personal or direct supervision** of a radiologist or a non-radiologist practitioner who has had proper training in the use and operator of fluoroscopic x-ray equipment
 - Issues with this: Some facilities are saying the radiologist down the hall is directly supervising the Operating Room (OR) cases in the same building
 - The non-radiologist practitioner (operating doctors) does not have fluoroscopy training, BUT are telling the rad techs what to do with the fluoroscopy equipment (expose, move machine, etc.)
 - Radiologists may not know they are “supervising”
 - Who is responsible if there is an issue with the patient or personnel in the OR?
 - Rads directly supervising department (radiology) cases down the hall - Procedures -
 - RPS has been trying to get all non-radiologists trained but we get some resistance from hospital management and doctors.
- **RPS proposes to amend rules that all non-radiologist practitioners need fluoroscopy training.**
- **Fluoro training or an exception for in-house radiology barium procedures (no MD involved)?**



Future Proposed Rulemaking

Clarification of the use of a State of Oregon licensed electricians relating to tanning bed installation.

Add the term "direct" to 333-106-0005(8);
"Supervision" means the supervising individual routinely reviews and monitors, **or directs**, the work being performed.

Repeal the statement in 333-106-0025 "Notwithstanding sections (1), (2) and (3) of this rule, registered general licenses for out-of-state radioactive material under specific license may be brought into the state for use at temporary jobsites only under the provisions of OAR 333-102-0340" regarding the use of out-of-state X-ray machines.

Non-radiologist practitioners, who are physically present in the room during fluoroscopy use, are required to have Authority approved fluoroscopy training if the non-radiologist practitioner is operating a fluoroscopy machine or supervising a fluoroscopy operator (Radiologic Technologist).

For OAR 333-106-0205, add the term personal supervision to the rule; "Rad technologist may operate fluoroscopic equipment under the personal or direct supervision of a radiologist or **personal supervision of a non-radiologist practitioner who has....**





LUNCHTIME



EMERGENCY PREPAREDNESS/RESPONSE

COLUMBIA GENERATING STATION HANFORD EXERCISE

FEBRUARY 5TH & 6TH

TOM PFAHLER, HEALTH PHYSICIST



INCIDENTS

Michelle Martin
Health Physicist

41

THERAPY INCIDENTS FOUR IN FOUR MONTHS

One investigation has been completed

- Wrong site treated due to not following protocols
- Treatment was based off a scar
 - From beginning to end of treatment the scar healed
 - New tech used another scar isocenter

Three investigations are still ongoing

- Wrong sites treated
- Still ongoing investigations

INCIDENTS

Hillary Haskins
Operations Manager

Tuality-Hillsboro Medical Center Notice of Violation

Fluoroscopy doctor received more than 5 REM in 2023

Initial dosimetry report = 32.456 Rem

Recalculation = 21.667 Rem

OAR 333-120-0100(1)(a)(A) states in part that each registrant must control the occupational dose to individual adults

OAR 333-120-0710(1)(a)(A) directs the registrant to immediately (less than 24 hours) report to the Authority when an individual receives a total effective dose equivalent of 0.25 Sv (25 rem) or more

OAR 333-120-0720 states in part that reportable events, in addition to the notification requirement (OAR 333-120-0710), the registrant must submit a written report to the Authority within 30 days after learning of the overexposure occurrence.

OAR 333-120-0020(2) states in part that each registrant must use, to the extent practicable, procedures and engineering controls based upon sound radiation protection principles to achieve occupational doses and doses to members of the public that are as low as is reasonably achievable (ALARA).

INCIDENTS

Hillary Haskins
Operations Manager

Tuality-Hillsboro Medical Center Final Order

- During RPS's investigation, RPS discovered that a radiation worker (physician performing fluoroscopic procedures) working at Registrant's facility was exposed to radiation doses that exceed 5 rem annually in 2020. Beginning as early as February 2020, the radiation worker's annual total effective dose exceeded 5 rem. The radiation worker continued to work in a radiation field after exceeding the regulatory limit in February. Even though the Registrant was notified that the worker's annual limit of the total dose exceeded annual dose of 5 rem, during various days beginning October 15, 2020, and ending December 31, 2020, the worker performed 32 fluoroscopy procedures.
- During various days beginning October 15, 2020, and ending December 31, 2020, the worker performed 32 fluoroscopy procedures after the annual limit exceeded 5 rem. Each of the 32 procedures performed between October 15, 2020 and December 31, 2020 is a separate level 1 violation of the Registrant's obligation to control the occupational dose and a violation of OAR 333-120-0100(1)(a)(A). Because any given procedure poses a risk of additional exposure, once a worker exceeds a permissible limit, permitting the worker to perform any additional procedures is a violation of the obligation to control the annual total effective dose.
 - For the first offense of OAR 333-120-0100(1)(a)(A), RPS imposes no civil penalty as a first violation in accordance with OAR 333-124-0010(2). This offense was included in the March NOV.
 - For the second offense, RPS is imposing a civil penalty of \$350 in accordance with OAR 333-124-0010(8).
 - For the third offense and subsequent 29 offenses, RPS is imposing a civil penalty of \$500 per offense in accordance with OAR 333-124-0010(8).
 - Based on the violations of OAR 333-120-0100(1)(a)(A), RPS is imposing a total civil penalty of **\$15,350**.

INCIDENTS

OHSU SIR-Spheres

Michelle Martin
Health Physicist

- Incident date- September 21, 2023
- Location- OHSU
- Prescribed dose- 7.2 mCi
- Delivered dose: 5.6 mCi

INCIDENTS

OHSU SIR-Spheres

Michelle Martin
Health Physicist

SIRspheres- What are they?

- SIR- Selective Internal Radiation
- Y90 resin microspheres used to treat liver tumors
- Beta emitter, half life of 64 hours
- Similar in size to a red blood cell
- Delivered to hepatic artery and carried by blood to tumor microvasculature

INCIDENTS

OHSU SIR-Spheres

Michelle Martin
Health Physicist

46

What Happened-

Interventional Radiologist (IR) underdosed patient by leaving >20% of SIRspheres in tubing/syringe

- 75% of the liquid in a 30cc syringe was pushed into the SIRsphere vial. The SIRspheres then get transferred to the hepatic artery via catheter.
- The liquid in the SIRsphere vial looked clear so it was thought that there were no SIRspheres left in the vial.
- After the procedure, the syringe/tubing were surveyed, and it was discovered that a significant amount of SIRspheres remained.
- The thought is that a “clump of spheres” remained at the hub of the syringe

Corrective Action- Changed procedure to require a minimum flush amount of 30cc (entire volume of 30cc syringe)

INTERAGENCY AGREEMENT REVISIONS

TODD CARPENTER
LICENSING MANAGER

Inter-Agency Agreements Renewed

- Revise Metro Waste Transfer Stations Agreement to provide only **radiation training** to their hazardous material technicians
- Renewed Agreement to provide **radiation response** services to the Oregon Department of Energy
- Renewed Agreement to provide **radiation training** services to First Responders and First Receivers relating to radiation transportation accidents and contamination events for the Oregon Department of Energy



2024 STATE RADIOLOGICAL EMERGENCY RESPONSE PLAN

TODD CARPENTER
LICENSING MANAGER

48

Center for Health Protection



Radiological Response Plan

To Support

State of Oregon Comprehensive Emergency Plan

Volume 3 Emergency Operations Plan, Emergency Support Function 08

Incident Annex 09

Oregon
Health
Authority

2024 STATE RADIOLOGICAL EMERGENCY RESPONSE PLAN

TODD CARPENTER
LICENSING MANAGER

Table of Contents

1	CONTENTS	
2	Introduction	5
3	Purpose and Authorities	6
3.1	Authorities	6
4	Situations and Assumptions	7
4.1	Situations	7
4.2	Assumptions	9
5	Concept of Operations	11
5.1	NIMS Guiding Principles	11
5.2	ICS Organization Descriptions	14
5.3	Overall Organizational Functions	15
6	Notification	16
7	Operational Priorities	16
8	Activation of the Health Security, Preparedness and Response, Agency Operations Center	19
8.1	AGENCY OPERATIONS CENTER (AOC)	19
9	Radiological Incident Phases and Applicability of Protective Actions	20
9.1	Early Phase	21
9.2	Intermediate Phase	21
9.3	Late Phase	21
9.4	Applicability of Protective Actions	22
9.5	Advisories	22
9.6	Re-entry, Restoration, Return, and Relocation	23
10	Early Phase Objectives by Program	26
10.1	Radiation Protection Services	26
10.2	Health Security, Preparedness and Response	27
10.3	Environmental Public Health	27
10.4	Acute and Communicable Disease Prevention Section	28
10.5	Oregon State Public Health Laboratory	28
10.6	Drinking Water Services	29
10.7	Environmental Public Health – Foodborne Illness Prevention Program	29

2024 STATE RADIOLOGICAL EMERGENCY RESPONSE PLAN

TODD CARPENTER
LICENSING MANAGER

10.8 Public Information/Risk Communication.....	29
11 Intermediate and Late Phase, Reentry and Recovery Objectives by Program	30
11.1 Radiation Protection Services.....	30
11.2 Health Security, Preparedness and Response.....	30
11.3 Environmental Public Health.....	31
11.4 Acute and Communicable Disease Prevention Section	31
11.5 Oregon State Public Health Laboratory	32
11.6 Drinking Water Services	32
11.7 Environmental Public Health – Foodborne Illness Prevention Program	32
11.8 Public Information/Risk Communication.....	33
12 Government Agencies Roles and Responsibilities	33
12.1 Federal Agencies.....	35
12.1.1 FBI.....	35
12.1.2 U.S. Department of Energy (DOE)	35
12.1.3 Nuclear Regulatory Commission (NRC)	35
12.2 Environmental Protection Agency (EPA) (206) 553-1263	35
12.2.1 Center for Disease Control (CDC)	36
12.2.2 Radiation Emergency Assistance Center/Training Site (REAC/TS).....	36
12.1.7 National Response Center - US Coast Guard National Response Center	36
12.1.8 THE ADVISORY TEAM FOR THE ENVIRONMENT, FOOD, AND HEALTH	36
12.1.9 U.S. Department of Health and Human Services, Radiation Emergency Medical Management (REMM).....	37
12.1.10 Administration for Strategic Preparedness and Response - National Stockpile (SNS) – CDC Emergency Operations Center	37
12.3 State Agencies.....	37
12.3.1 Oregon Health Authority Public Health Division (PHD).....	37
12.3.2 OHA Center for Health Protection (CHP), Radiation Protection Services.....	37
12.3.3 OHA Health Security, Preparedness and Response (HSPR)	38
12.3.4 OHA, Environmental Public Health.....	38
12.3.5 OHA, Acute and Communicable Disease Prevention Section.....	38
12.3.6 OHA, Oregon State Public Health Laboratory (OSPHL)	39
12.3.7 OHA Drinking Water Services	39
12.3.8 OHA, Environmental Public Health – Foodborne Illness Prevention Program.....	39
12.3.9 OHA, Public Information/Risk Communication.....	39
12.3.10 Oregon Department of Energy	40

2024 STATE RADIOLOGICAL EMERGENCY RESPONSE PLAN

TODD CARPENTER
LICENSING MANAGER

12.3.11 Oregon State Fire Marshal 40

12.3.12 Oregon State University, OSU Radiation Center and Radiation Safety Office 40

12.3.13 Oregon Health Sciences University 40

12.3.14 Oregon Office of Emergency Management 40

12.3.15 Oregon Poison Center 40

12.3.16 Oregon Department of Agriculture 40

12.3.17 Oregon National Guard, 102nd Civil Support Team 41

13 Vulnerable Populations 41

13.1 Center for Disease Control Table 1. Potential Health Effects of Prenatal Radiation Exposure .. 42

14 Isotopes of Interest 44

14.1 Isotopes of Interest: Properties, Treatment, and Fact Sheets 44

14.2 Table 1: Radionuclides of Concern 48

15 RadResponder - The National Standard 49

15.1 Partnerships and Data Management 49

15.2 Capabilities 50

15.3 Contact RadResponder 1-202-646-8269 50

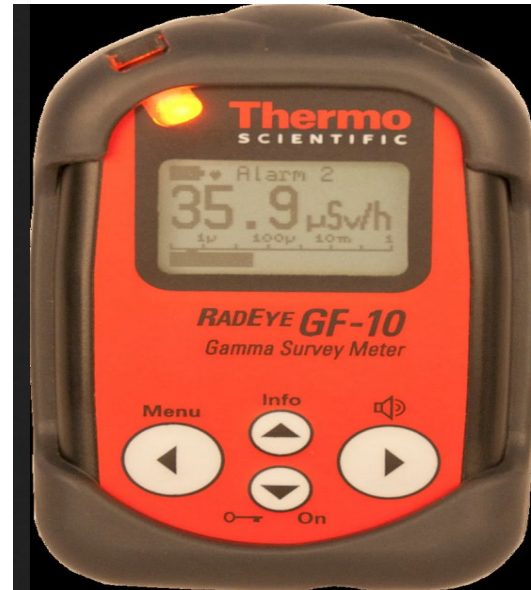
DRAFT

HEALTH, SECURITY, PREPAREDNESS AND RESPONSE PROGRAM AGREEMENT

TODD CARPENTER
LICENSING MANAGER

52

Requested and received funding to immediately replace up to 18 personal emergency radiation detectors/dosimeters through the Health, Security, Preparedness, and Response Program (HSPR).



Thermo Scientific Radeye, Personal Dose Rate Meter

Per Unit: \$1,784.50

Total funding for 18 units:
\$32,121



MANDATORY RAC MEMBER TRAINING

David Howe



PUBLIC COMMENTS

♥ HAPPY
Valentine's
— DAY ♥

THANK YOU FOR ATTENDING

Next Meeting is June 12, 2024