

OPERATIONS AND MAINTENANCE MANUAL

DFI No.: D01069

Facility Type: **Water Quality Biofiltration Swale**



April, 2020

INDEX

1. Identification
2. Facility Contact Information
3. Construction
4. Facility Overview
5. Facility Haz Mat Spill Feature (s)
6. Auxiliary Outlet(High Flow Bypass)
7. Maintenance Requirements
8. Waste Material Handling

APPENDIX A:	Operations Plan and Profile Drawing(s)
APPENDIX B:	ODOT Project Plan Sheets
APPENDIX C:	Photos

1. Identification

Drainage Facility ID (DFI): **D01069**
Facility Type: Water Quality Biofiltration Swale
Construction: 52V-013
Drawings:

Location: District: 5
Florence-Eugene Highway No. 62
Milepost: 34.03/34.05 (beg./end)

2. Facility Contact Information

Contact the Engineer of Record, Region Technical Center, or Geo-Environmental's Senior Hydraulics Engineer for:

- Operational clarification
- Maintenance clarification
- Repair or restoration assistance

Engineering Contacts:

Region Technical Center Hydraulics Engineer (503) 986-2691

Or

Geo-Environmental Senior Hydraulic Engineer (503) 986-3365

3. Construction

Engineer of Record: ODOT Designer - Region 2 Tech. Center,
Chris Carman, (503) 986-2691

Facility construction: 2019
Contractor: TBD
Contract #: 15126

4. Facility Overview

The swale is located at milepost 34.03 on the Florence-Eugene highway 62 highway on the north side of the highway. Treatment of pollutants from the highway are achieved through sedimentation and infiltration through the water quality mix shown in section B-B in the operational plan.

5. Facility Haz Mat Spill Feature (s)

The swale can be used to store a volume of liquid by blocking the outlet of the swale. A barrier such as a temporary berm made of sandbags could be used to prevent liquid from draining from the swale.

6. Auxiliary Outlet (High Flow Bypass)

This facility does not contain an auxiliary outlet feature. The facility was designed to receive runoff from the road and discharge into cross pipes.

7. Maintenance Requirements

Routine maintenance table for non-proprietary stormwater treatment and storage/detention facilities have been incorporated into ODOT's Maintenance Guide. These tables summarize the maintenance requirements for ponds, swales, filter strips, bioslopes, and detention tanks and vaults. Special maintenance requirements in addition to the routine requirements are noted below when applicable.

The ODOT Maintenance Guide can be viewed at the following website:

https://www.oregon.gov/ODOT/HWY/OOM/mg/02/act125_waterqualityfacil_andtables.pdf

The following stormwater facility maintenance table (See ODOT Maintenance Guide) should be used to maintain the facility outlined in this Operation and Maintenance Manual or follow the Maintenance requirements outlined in Appendix C when proprietary structure is selected below:

- Table 1 (general maintenance)
- Table 2 (stormwater ponds)
- Table 3 (water quality biofiltration swales)
- Table 4 (water quality filter strips)
- Table 5 (water quality bioslopes)
- Table 6 (detention tank)
- Table 7 (detention vault)
- Appendix C (proprietary structure)
- Special Maintenance requirements:

8. Waste Material Handling

Material removed from the facility is defined as waste by DEQ. Refer to the roadwaste section 5.18 of the ODOT Maintenance Yard Environmental Management System (EMS) Policy and Procedures Manual for disposal options:

https://www.oregon.gov/ODOT/HWY/OOM/EMSdoc/ems_manual.pdf

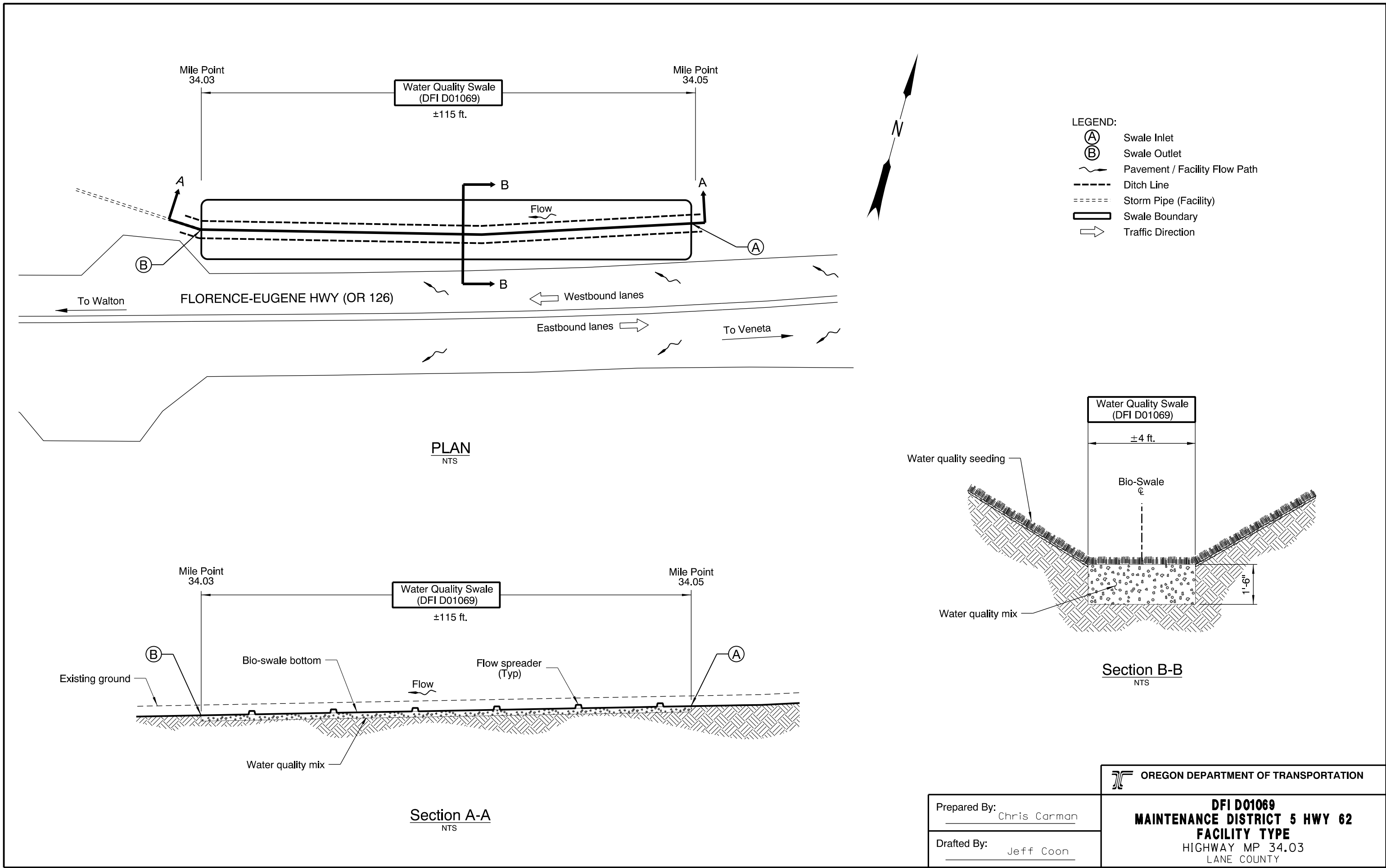
Contact any of the following for more detailed information about management of waste materials found on site:

ODOT Clean Water Unit	(503) 986-3008
ODOT Statewide Hazmat Coordinator	(503) 229-5129
ODOT Region Hazmat Coordinator	(503) 986-2647
ODEQ Northwest Region Office	(503) 229-5263

Appendix A

Content:

- **Operational Plan and Profile Drawing(s)**



PLAN
NTS

Section A-A
NTS

Section B-B
NTS

- LEGEND:**
- (A) Swale Inlet
 - (B) Swale Outlet
 - ~ Pavement / Facility Flow Path
 - - - Ditch Line
 - ==== Storm Pipe (Facility)
 - ▭ Swale Boundary
 - ➔ Traffic Direction

Prepared By: Chris Carman
 Drafted By: Jeff Coon

OREGON DEPARTMENT OF TRANSPORTATION

DFI D01069
MAINTENANCE DISTRICT 5 HWY 62
FACILITY TYPE
 HIGHWAY MP 34.03
 LANE COUNTY

Appendix B

Content:

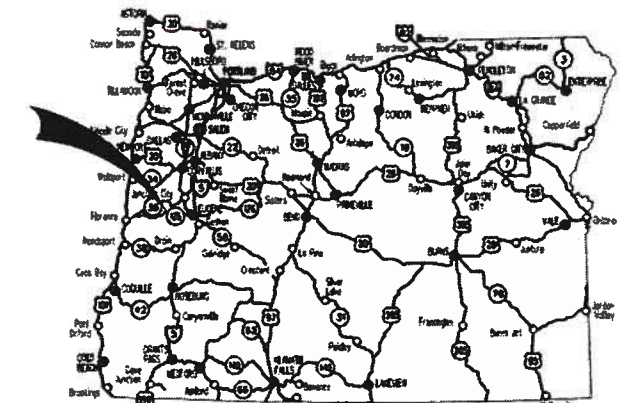
- **ODOT Project Plan Sheets**
 - *Cover/Title Sheet*
 - *Water Quality/Detention Plan Sheets*
 - *Other Details*

INDEX OF SHEETS	
SHEET NO.	DESCRIPTION
A01	Title Sheet
A02	Index Of Sheets Cont'd. & Std. Drg. Nos.
A03 Thru A07 Incl.	Survey Control Data

STATE OF OREGON
 DEPARTMENT OF TRANSPORTATION

PLANS FOR PROPOSED PROJECT
 GRADING, PAVING & SIGNING

OR126: WALKER CREEK - CHICKAHOMINY CREEK SEC.
 FLORENCE - EUGENE HWY.



Overall Length Of Project - 0.8 Miles

BEGINNING OF PROJECT
 S062(041)

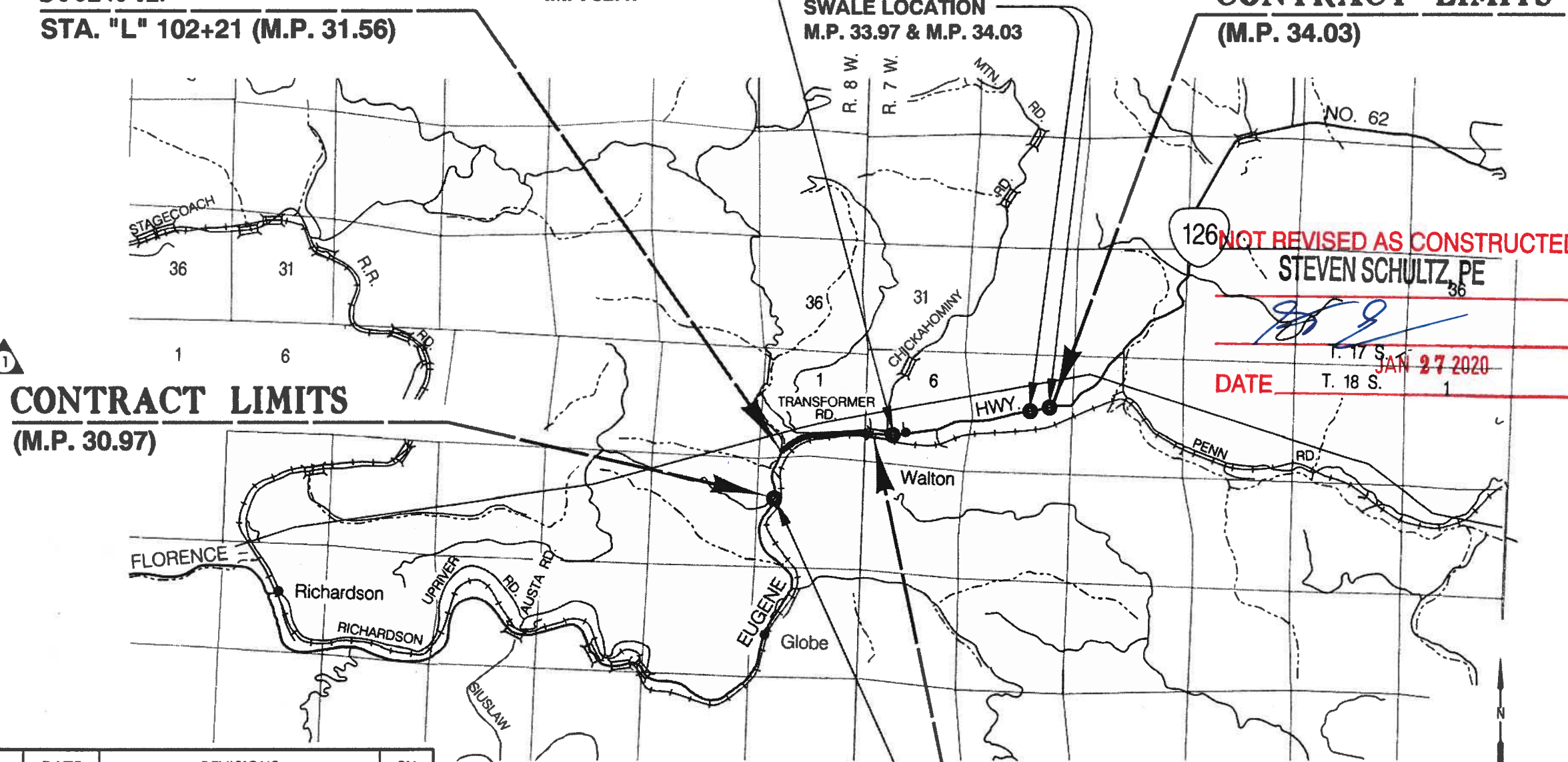
LANE COUNTY
 DECEMBER 2018

CONTRACT LIMITS
 (M.P. 34.03)

STA. "L" 102+21 (M.P. 31.56)

SWALE LOCATION
 M.P. 32.47

SWALE LOCATION
 M.P. 33.97 & M.P. 34.03



CONTRACT LIMITS
 (M.P. 30.97)

NOT REVISED AS CONSTRUCTED
 STEVEN SCHULTZ, PE

DATE JAN 27 2020

ATTENTION:
 Oregon Law Requires You To Follow Rules
 Adopted By The Oregon Utility Notification
 Center. Those Rules Are Set Forth In
 OAR 952-001-0010 Through OAR 952-001-0090.
 You May Obtain Copies Of The Rules By Calling
 The Center. (Note: The Telephone Number For
 The Oregon Utility Center Is (503) 232-1987.)



OREGON TRANSPORTATION COMMISSION

- Tammy Boney CHAIR
- Bob Van Brocklin VICE-CHAIR
- Alando Simpson COMMISSIONER
- Julle Brown COMMISSIONER
- Martin Callery COMMISSIONER
- Matthew L. Garrett DIRECTOR OF TRANSPORTATION

These plans were developed using ODOT design standards. Exceptions to these standards, if any, have been submitted and approved by the ODOT Chief Engineer or their delegated authority.

Approving Authority: James E. West Dec 12 2018 8:26 AM
 Signature & date
 James E. West - R2 Tech Center Manager
 Print name and title
 Steven B Cooley Dec 14 2018 11:12 AM
 Concurrence by ODOT Chief Engineer

No.	DATE	REVISIONS	BY
1	12-13-18	Added contract limits	S.T.

SWALE LOCATION
 M.P. 30.97

END OF PROJECT
 S062(041)

STA. "L" 145+70 (M.P. 32.36)

T. 18 S., R. 7 & 8 W., W.M.

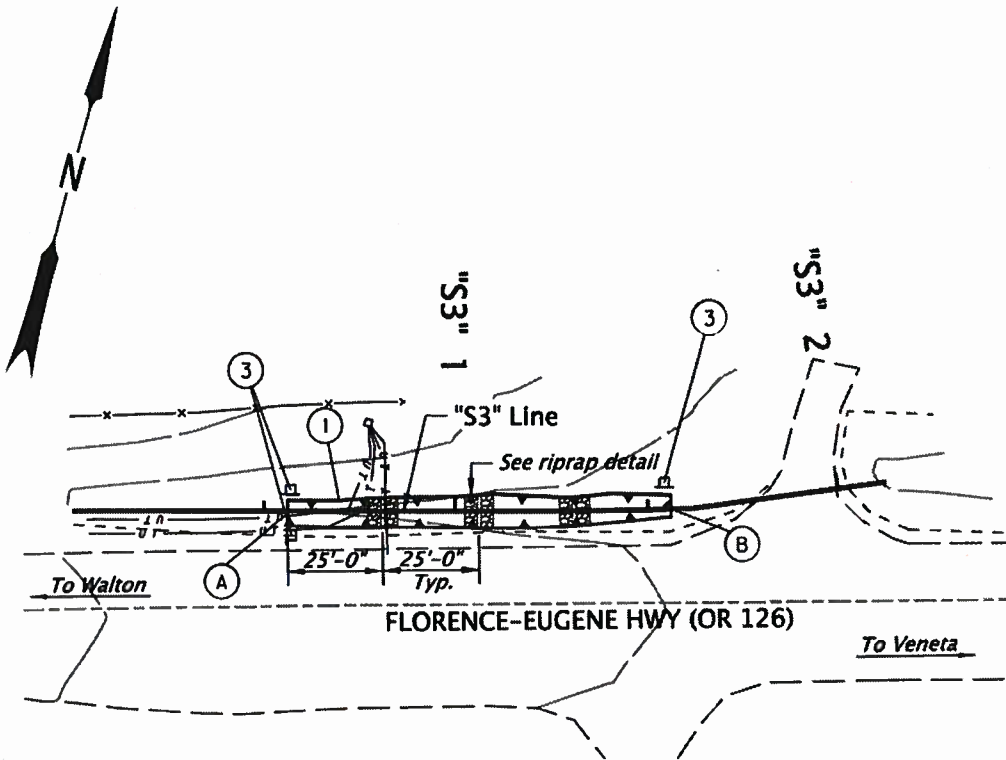


OR126: WALKER CREEK - CHICKAHOMINY CREEK SEC.
 FLORENCE - EUGENE HWY.
 LANE COUNTY

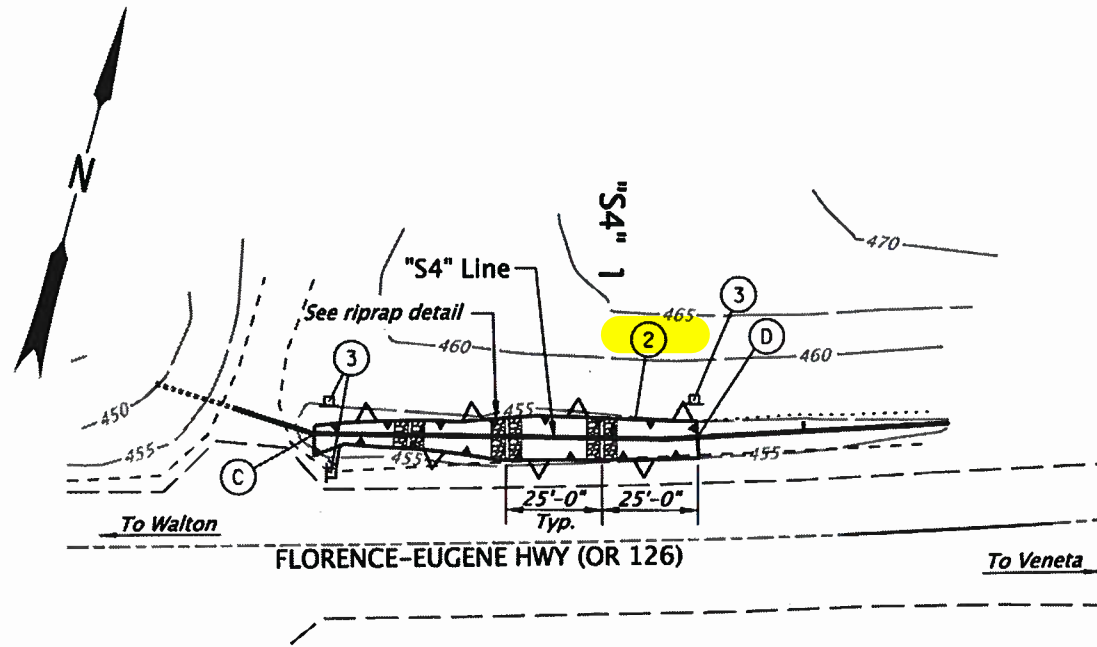
FEDERAL HIGHWAY ADMINISTRATION	PROJECT NUMBER	SHEET NO.
OREGON	STATE	A01

PE002619

MILEPOINT 33.97 & MILEPOINT 34.03

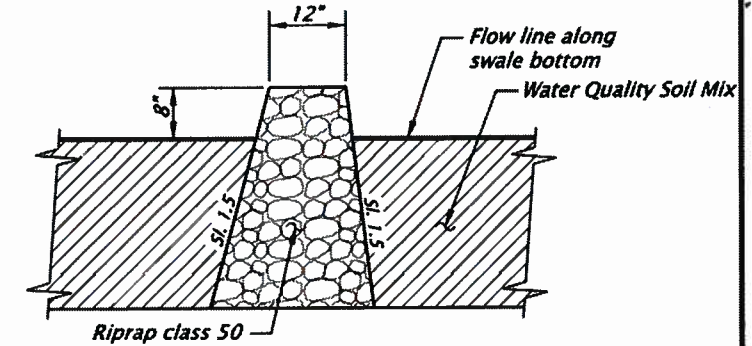


PLAN

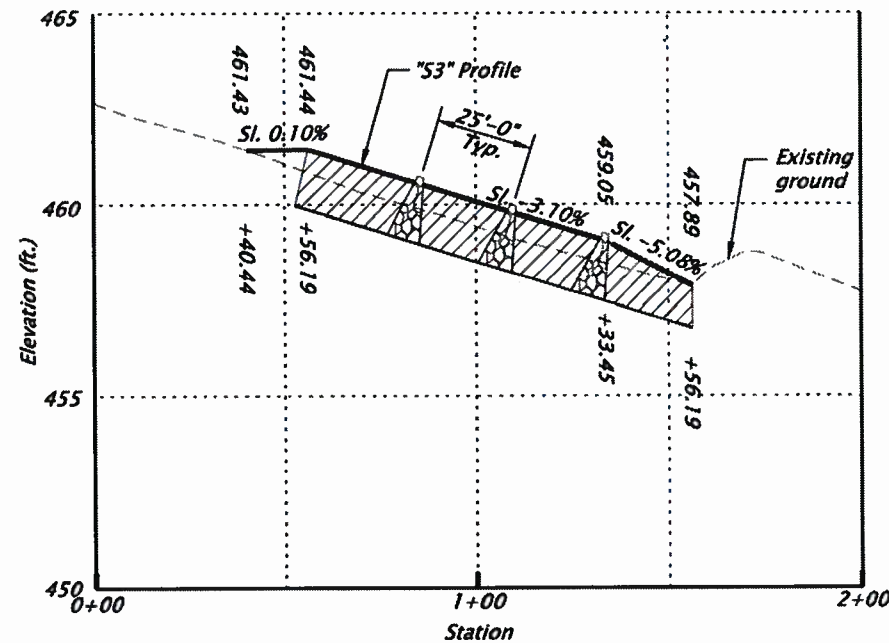


PLAN

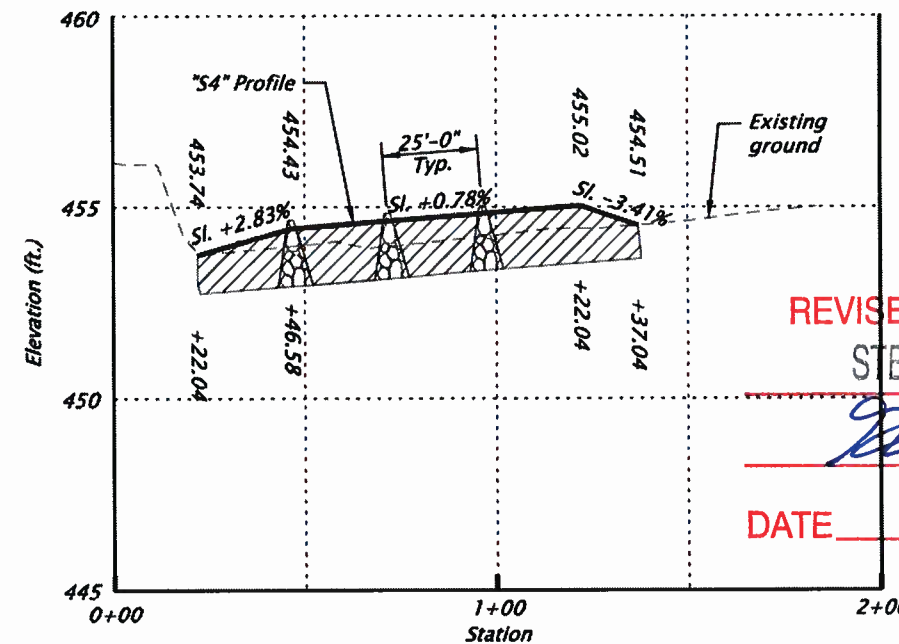
- ① Sta. "S3" 0+40.44 to Sta. "S3" 1+56.19
Construct Water Quality Swale No. D01068
General excavation - 6 cu. yds.
Water Quality Soil Mix - 10 cu. yds.
Const. loose riprap (Class 50) - 4 cu. yds.
- ② Sta. "S4" 0+22.04 to Sta. "S4" 1+37.04
Construct Water Quality Swale No. D01069
General excavation - 7.2 cu. yds.
Water Quality Soil Mix - 12 cu. yds.
Const. loose riprap (Class 50) - 6 cu. yds.
- ③ Install Stormwater facility marker
(See RD399)



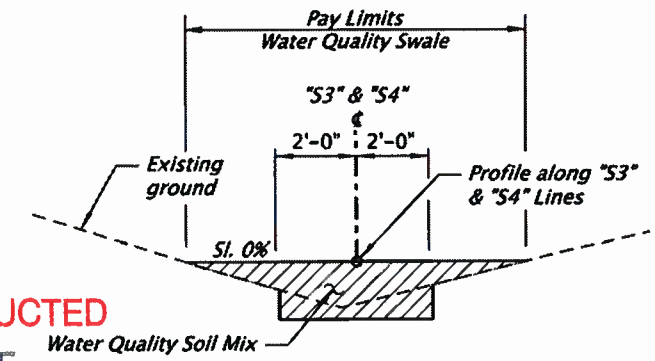
RIPRAP DETAIL



PROFILE ALONG "S3" LINE AT MP 33.97



PROFILE ALONG "S4" LINE AT MP 34.03



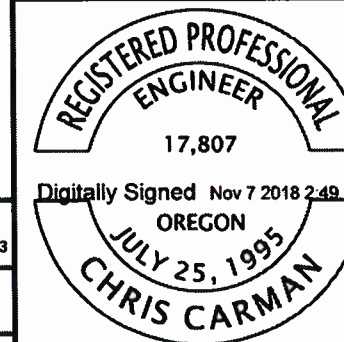
TYPICAL SECTION

REVISED AS CONSTRUCTED
STEVEN SCHULTZ, PE

DATE JAN 27 2020

Note:
Slopes are shown as vertical to horizontal or percentage.

Point	Longitude	Latitude
A	-123° 33' 28"	44° 02' 7"
B	-123° 33' 26"	44° 02' 7"
C	-123° 33' 24"	44° 02' 8"
D	-123° 33' 22"	44° 02' 8"



HWY: 126
M.P.: 33.97 & 34.03
TRS
N/A
DPI/TSSU NO.
D01068 &
D01069

RENEWS: 12-31-2019

FINAL ELECTRONIC DOCUMENT
AVAILABLE UPON REQUEST

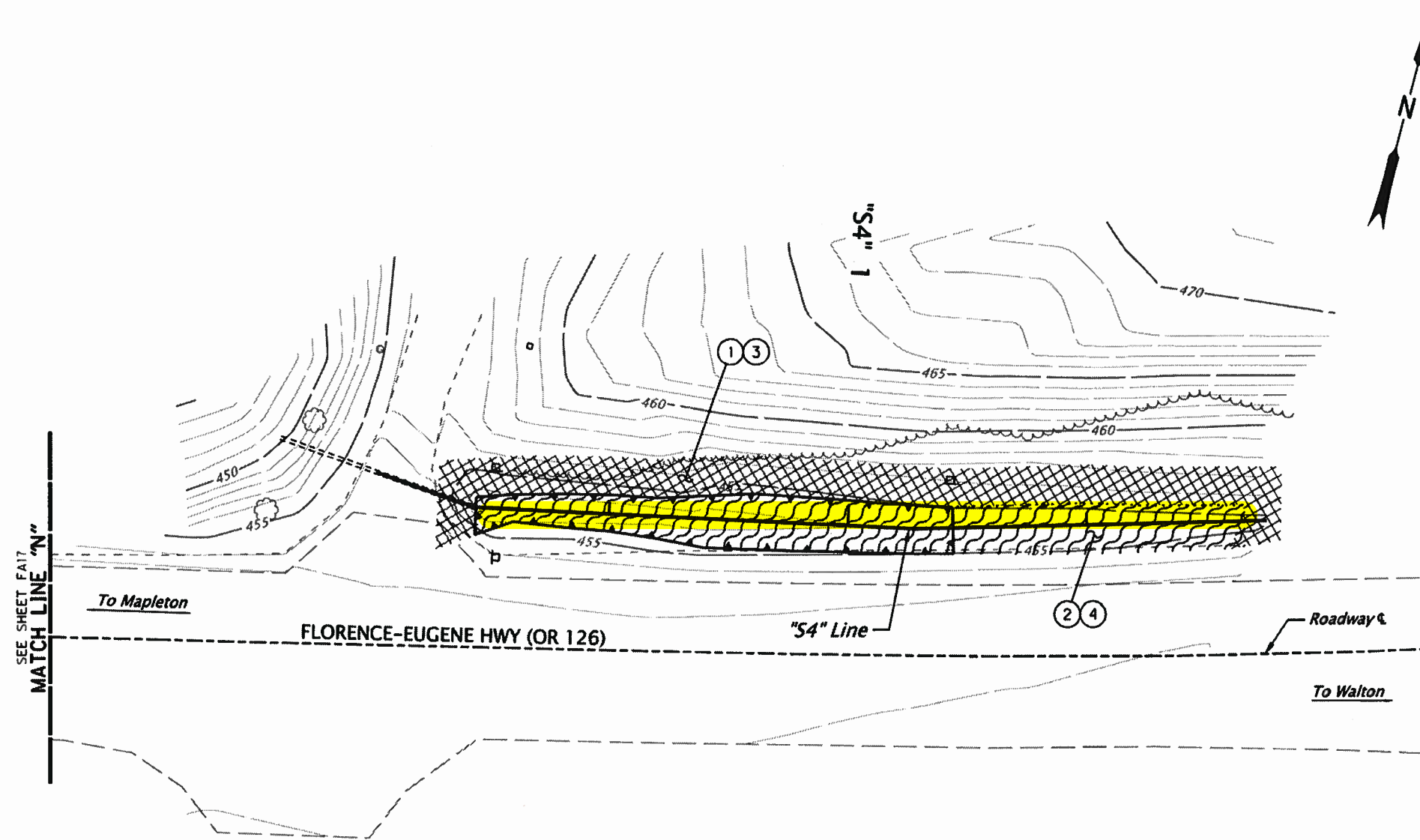
OREGON DEPARTMENT OF TRANSPORTATION

OR126: WALKER CREEK - CHICKAHOMINY CREEK SEC.
FLORENCE - EUGENE HIGHWAY,
LANE COUNTY

Designer: Chris Carman
Reviewer: Bo Miller
Drafter: Julie Rentz
Checker: N/A

STORMWATER


SHEET NO.
HA07



- LEGEND AND NOTES:**
- ① Inst. Permanent seeding mix #1
At cut and fill slopes
 - ② Inst. Permanent seeding mix #2
 - ③ Inst. matting, Type D over
Permanent seeding mix #1
 - ④ Inst. matting, Type F over
Permanent seeding mix #2 and
on slopes 1V:2H or greater
- ▲— Water Quality Biofiltration Swale




SEE SHEET FA17
MATCH LINE "N"

REVISED AS CONSTRUCTED
 STEVEN SCHULTZ, PE

 DATE JAN 27 2020



REGISTERED
 0938
 Digital Signature Nov 8 2018 6:42 PM
 CELINE LIVENGOOD
 OREGON
 06/06/17
LANDSCAPE ARCHITECT
 EXPIRES: 06-30-2019

OREGON DEPARTMENT OF TRANSPORTATION 	
OR126: WALKER CREEK - CHICKAHOMINY CREEK SEC. FLORENCE - EUGENE HIGHWAY, LANE COUNTY	
Designer: Celine Livengood Drafter: Michael Skelton	Reviewer: Bob Marshall Checker: N/A
ROADSIDE DEVELOPMENT PLAN	SHEET NO. FA18

Appendix C

Content:

- Photos



