

OPERATION & MAINTENANCE MANUAL

DFI No. : D01171

Facility Type: Stormwater Planter

September 2018

INDEX

1. IDENTIFICATION 1

2. FACILITY CONTACT INFORMATION 1

3. CONSTRUCTION 1

4. STORM DRAIN SYSTEM AND FACILITY OVERVIEW 2

5. MAINTENANCE REQUIREMENTS 3

6. WASTE MATERIAL HANDLING 4

Appendix A: Operational Plan and Profile Drawing(s)

Appendix B: ODOT Project Plan Sheets

1. Identification

Drainage Facility ID (DFI): **D01171**
Facility Type: Stormwater Planter
Construction Drawings: (V-File Number) 52V-005
Location: District: 2B
Highway No.: 026
Mile Post: 7.48; 7.49 (beg./end)
Description: This facility is located along the south side of SE Powell Boulevard approximately 40 feet west of SE 128th Avenue.

2. Facility Contact Information

Contact the Engineer of Record, Region Technical Center, or Geo-Environmental's Senior Hydraulics Engineer for:

- Operational clarification
- Maintenance clarification
- Repair or restoration assistance

Engineering Contacts:

Region Technical Center Hydro Unit Manager

Or

Geo-Environmental Senior Hydraulics Engineer (503) 986-3365.

3. Construction

Engineer of Record:

ODOT Designer – Region 1 Hydraulics, Bruce Council, PE, (503) 731-8319

Consultant Designer – HDR, Christine Higgins, PE, (503) 423-3700

Facility construction: 2019
Contractor: To be Determined

4. Storm Drain System and Facility Overview

Stormwater planters are structural landscaped reservoirs used to collect, filter, and infiltrate stormwater, allowing pollutants to settle and filter out as the water percolates through the vegetation, growing medium, and gravel. Depending on site conditions, planters can be designed to completely or partially infiltrate the stormwater they receive.

This facility is located along the south side of SE Powell Blvd. approximately 40 feet west of SE 128th Avenue. Refer to Figure 1 for facility location. This facility is approximately 5 inches lower than the adjacent roadway, with 18 inches of water quality soil on top of 18 inches of storage rock.

Figure 1. Facility Location



Stormwater is conveyed into the stormwater planter through evenly spaced curb cut inlets along the side of the stormwater planter adjacent to the roadway, and through notches along the sides of the planter adjacent to the sidewalk. Once the stormwater percolates through the vegetation and water quality soil, it infiltrates into the native subsoil.

A. Maintenance equipment access:
The facility can be accessed from SE Powell Boulevard

B. Heavy equipment access into facility:

- Allowed (no limitations)
- Allowed (with limitations)
- Not allowed

C. Special Features:

- Amended Soils
- Porous Pavers
- Liners
- Underdrains

5. Maintenance Requirements

Routine maintenance table for non-proprietary stormwater treatment and storage/detention facilities have been incorporated into ODOT's Maintenance Guide. These tables summarize the maintenance requirements for ponds, swales, filter strips, bioslopes, and detention tanks and vaults. Special maintenance requirements in addition to the routine requirements are noted below when applicable.

The ODOT Maintenance Guide can be viewed at the following website:

<https://www.oregon.gov/ODOT/GeoEnvironmental/Pages/Stormwater.aspx>

The stormwater facility maintenance table (See ODOT Maintenance Guide) should be used to maintain the facility outlined in this Operation and Maintenance Manual:

Mark as Required and always include Table 1:

- Table 1 (general maintenance)
- Table 2 (stormwater ponds)
- Table 3 (water quality biofiltration swales)
- Table 4 (water quality filter strips)
- Table 5 (water quality bioslopes)
- Table 6 (detention tank)
- Table 7 (detention vault)
- Appendix C (proprietary structure)

6. Waste Material Handling

Material removed from the facility is defined as waste by DEQ. Refer to the Roadwaste section of the ODOT Maintenance Yard Environmental Management System (EMS) Policy and Procedures Manual for disposal options:

https://www.oregon.gov/ODOT/Maintenance/Documents/ems_manual.pdf

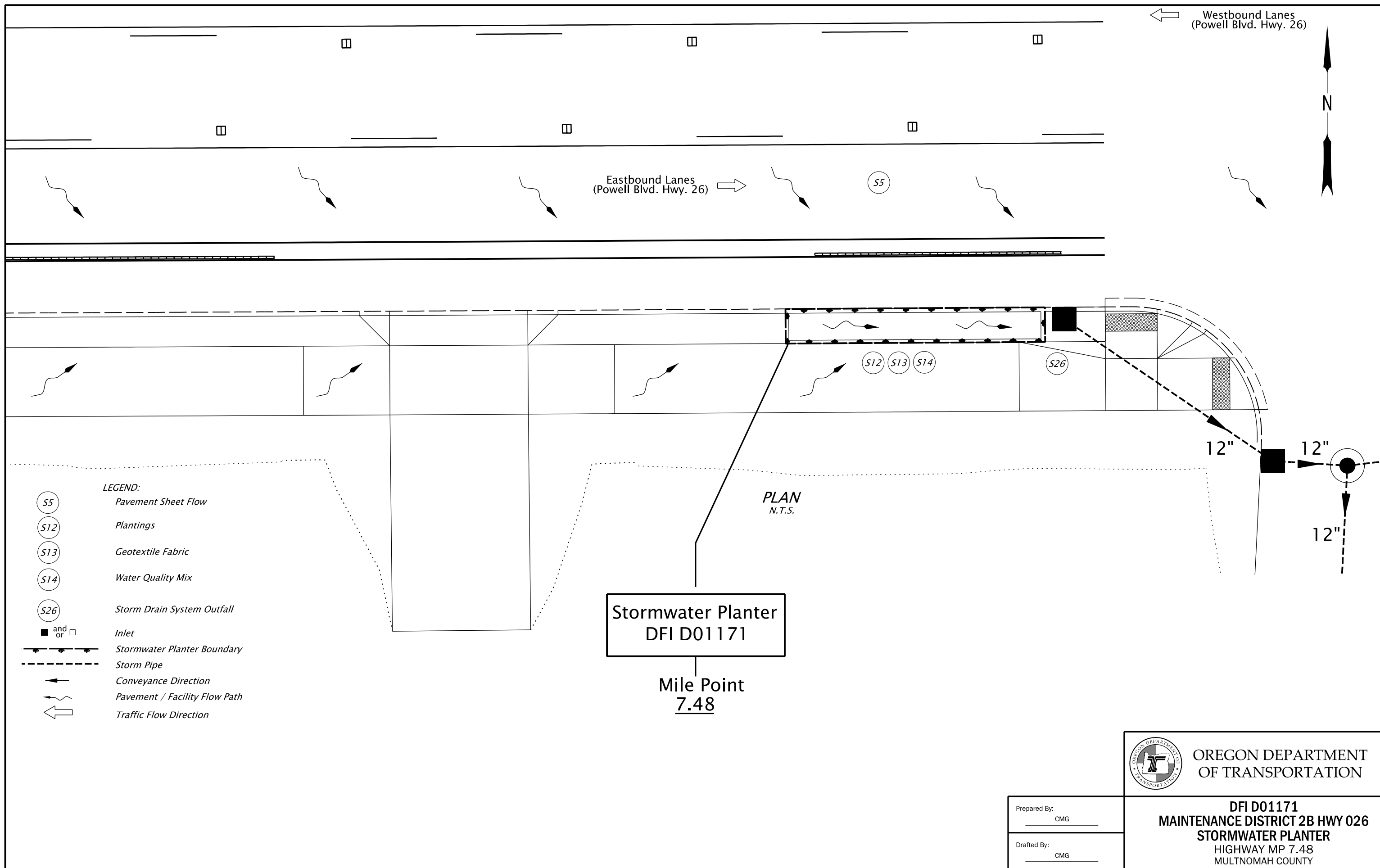
Contact any of the following for more detailed information about management of waste materials found on site:

ODOT Clean Water Unit	(503) 986-3008
ODOT Statewide Hazmat Coordinator	(503) 229-5129
ODOT Region 1 Hazmat Coordinator	(503) 731-8290
ODEQ Northwest Region Office	(503) 229-5263

Appendix A

Content:

- **Operational Plan and Profile Drawing(s)**



Appendix B

Content:

- **ODOT Project Plan Sheets**
 - *Cover/Title Sheet*
 - *Water Quality/Detention Plan Sheets*
 - *Other Details*

INDEX OF SHEETS	
SHEET NO.	DESCRIPTION
A01	Title Sheet
A02	Index Of Sheets, Cont.
A03	Standard Drawing Numbers
A04	Plan Sheet Layout
A05 thru A07	Control Data

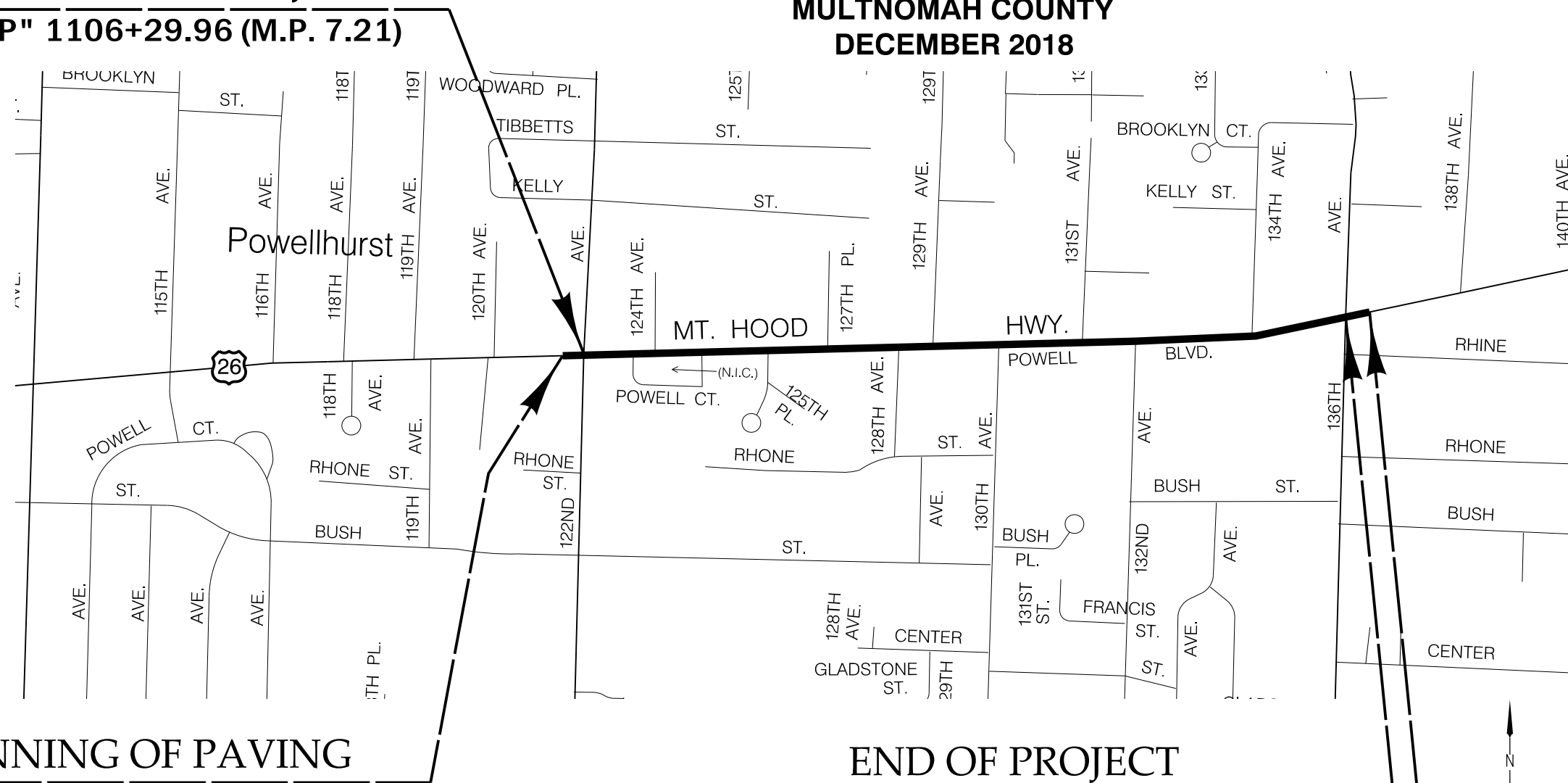
STATE OF OREGON
DEPARTMENT OF TRANSPORTATION

PLANS FOR PROPOSED PROJECT
**GRADING, PAVING, DRAINAGE, SIGNING,
ILLUMINATION, SIGNALS, AND ROADSIDE DEVELOPMENT**

**US26 (POWELL BLVD):
SE 122ND AVE - SE 136TH AVE SEC.**

**MT. HOOD HIGHWAY
MULTNOMAH COUNTY
DECEMBER 2018**

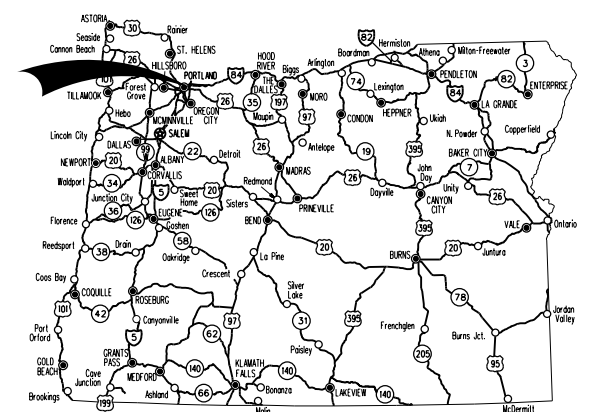
**BEGINNING OF PROJECT
STA. "P" 1106+29.96 (M.P. 7.21)**



**BEGINNING OF PAVING
STA. "P" 1103+68.00 (M.P. 7.16)**

**END OF PROJECT
STA. "P" 1142+67.74 (M.P. 7.90)
END OF PAVING
STA. "P" 1145+25.00 (M.P. 7.95)**

T. 1 S., R. 2 E., W.M.



Overall Length Of Project - 0.93 Miles

ATTENTION:
Oregon Law Requires You To Follow Rules Adopted By The Oregon Utility Notification Center. Those Rules Are Set Forth In OAR 952-001-0010 Through OAR 952-001-0090. You May Obtain Copies Of The Rules By Calling The Center. (Note: The Telephone Number For The Oregon Utility Center Is (503) 232-1987.)



OREGON TRANSPORTATION COMMISSION
Tammy Baney CHAIR
David Lohman COMMISSIONER
Paula Brown COMMISSIONER
Alando Simpson COMMISSIONER
Sean O'Hollaren COMMISSIONER
Matthew L. Garrett DIRECTOR OF TRANSPORTATION

These plans were developed using ODOT design standards. Exceptions to these standards, if any, have been submitted and approved by the ODOT Chief Engineer or their delegated authority.

Approving Authority: _____
Signature & date

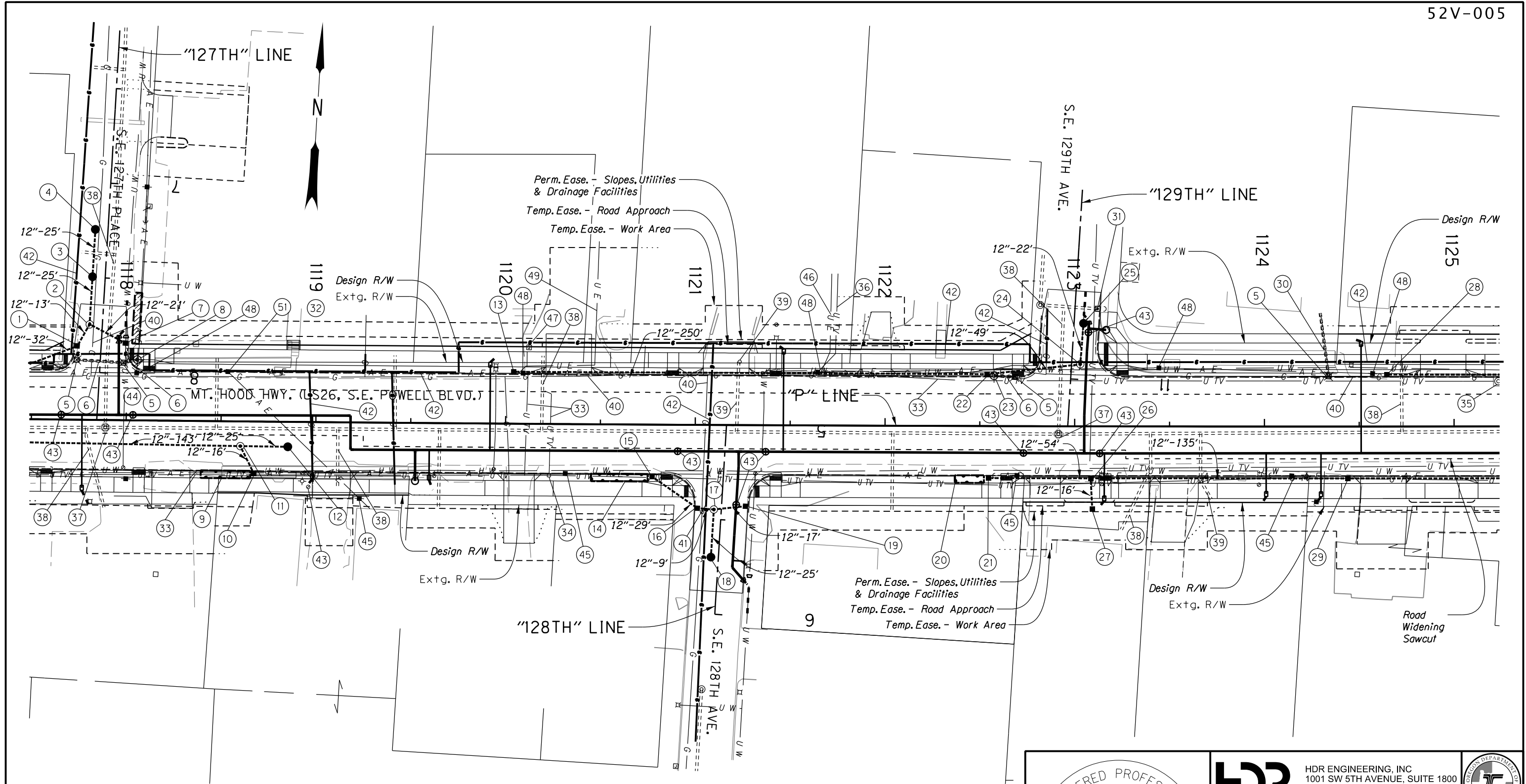
Print name and title

Concurrence by ODOT Chief Engineer

**US26 (POWELL BLVD):
SE 122ND AVE - SE 136TH AVE SEC.
MT. HOOD HIGHWAY
MULTNOMAH COUNTY**

FEDERAL HIGHWAY ADMINISTRATION	PROJECT NUMBER	SHEET NO.
OREGON DIVISION	HSIP-S026(126)	A01

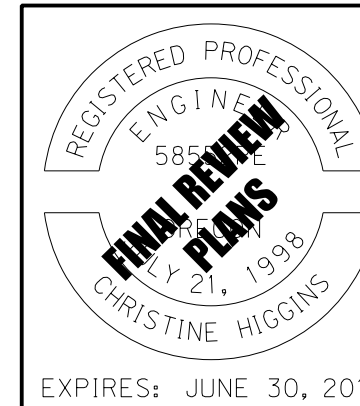




General Notes:

See sheets RA01 to RA14 for the relocation of the PWB water system.
PWB will install the water meter in the water meter box installed by the Contractor.

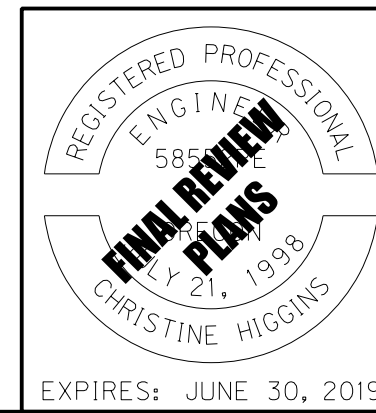
The road widening sawcut line does not reflect the sawcutting for trench resurfacing.



HDR	HDR ENGINEERING, INC 1001 SW 5TH AVENUE, SUITE 1800 PORTLAND, OR 97204-1134 503.423.3700	

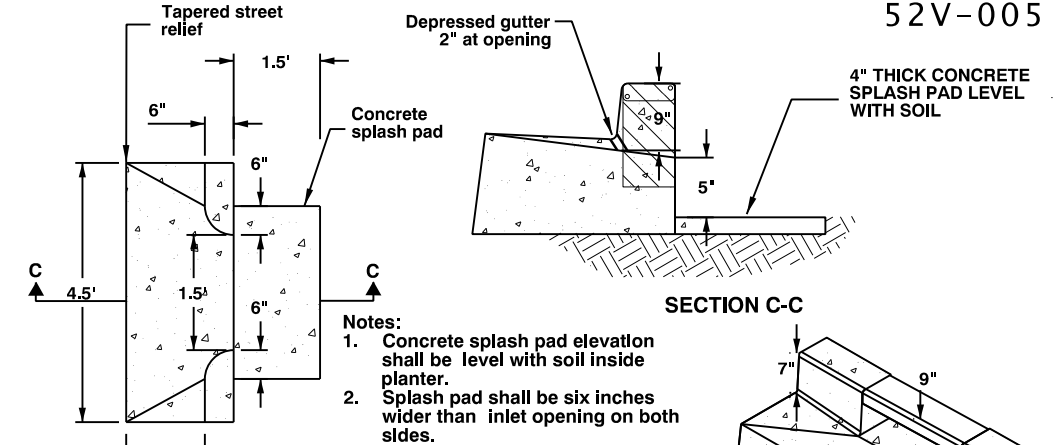
US26 (POWELL BLVD): SE 122ND AVE - SE 136TH AVE SEC.	
MT. HOOD HIGHWAY MULTNOMAH COUNTY	
Designer: Cory Gieseke	Reviewer: Christine Higgins
Drafter: Cory Gieseke	Checker: Kyle Donovan
DRAINAGE AND UTILITIES - PLANS	
SHEET NO. C04C	

- ① Sta."127TH" 7+86.82, Rt.
Const. type "CG-2" inlet with sump
Inst. 12" storm sew. pipe - 32'
5' depth
- ② Sta."127TH" 7+75.00, 6.62' Rt.
Const. sedimentation manhole
Inst. 12" storm sew. pipe - 13'
5' depth
Inst. 12" storm sew. pipe - 21'
5' depth
(For details, see sht. HA01)
- ③ Sta."127TH" 7+49.75, 6.69' Rt.
Const. drywell
Inst. 12" storm sew. pipe - 25'
10' depth
(For details, see sht. HA02)
- ④ Sta."127TH" 7+24.75, 6.65' Rt.
Const. drywell
Inst. 12" storm sew. pipe - 25'
10' depth
Trench resurfacing - 26 sq. yd.
(For details, see sht. HA02)
- ⑤ Remove inlet - 4
- ⑥ Remove pipe - 32'
- ⑦ Sta."127TH" 7+84.30, Lt.
Const. type "CG-2" inlet with sump
- ⑧ Sta. 1118+05.59, 31.97' Lt.
Decommission underground injection control system
- ⑨ Sta. 1118+39.60 to 1118+65.60, Rt.
Const. stormwater planter D01169
Inst. field facility marker (Type S2) - 1
DFI no. D01169
(For details, see sht. HA03)
- ⑩ Sta. 1118+67.52, Rt.
Const. type "CG-3" inlet with sump
- ⑪ Sta. 1118+60.31, 13.12' Rt.
Const. sedimentation manhole
Inst. 12" storm sew. pipe - 16'
5' depth
Inst. 12" storm sew. pipe - 143'
5' depth
- ⑫ Sta. 1118+85.31, 13.18' Rt.
Const. drywell
Inst. 12" storm sew. pipe - 25'
10' depth
Inst. field facility marker (Type S3) - 1
DFI no. D01170
(For details, see sht. HA02)
- ⑬ Sta. 1120+04.15, Lt.
Const. type "CG-3" inlet with sump
- ⑭ Sta. 1120+45.15 to 1120+75.15, Rt.
Const. stormwater planter D01171
Inst. field facility marker (Type S2) - 1
DFI no. D01171
(For details, see sht. HA03)
- ⑮ Sta. 1120+77.35, Rt.
Const. type "CG-3" inlet with sump
- ⑯ Sta."128TH" 5+44.71, Rt.
Const. type "CG-2" inlet with sump
Inst. 12" storm sew. pipe - 29'
5' depth
- ⑰ Sta."128TH" 5+44.71, 3.95' Rt.
Const. sedimentation manhole
Inst. 12" storm sew. pipe - 9', S=-4.44%
5' depth
Inst. 12" storm sew. pipe - 17', S=1.18%
5' depth
- ⑱ Sta."128TH" 5+69.93, 3.92' Rt.
Const. drywell
Inst. 12" storm sew. pipe - 25'
10' depth
(For details, see sht. HA02)
- ⑲ Sta."128TH" 5+42.04, Lt.
Const. type "CG-2" inlet with sump
- ⑳ Sta. 1122+37.00 to 1122+52.00, Rt.
Const. stormwater planter D01172
Inst. field facility marker (Type S2) - 1
DFI no. D01172
(For details, see sht. HA03)
- ㉑ Sta. 1122+54.48, Rt.
Const. type "CG-3" inlet with sump
- ㉒ Sta. 1122+53.83, Lt.
Const. type "CG-3" inlet with sump
Inst. 12" storm sew. pipe - 250'
5' depth
- ㉓ Sta. 1122+57.38, 26.57' Lt.
Decommission underground injection control system
- ㉔ Sta. 1123+02.89, 32.68' Lt.
Const. sedimentation manhole
Inst. 12" storm sew. pipe - 49'
5' depth
- ㉕ Sta."129TH" 10+70.21, 4.91' Lt.
Const. drywell
Inst. 12" storm sew. pipe - 22'
10' depth
(For details, see sht. HA02)
- ㉖ Sta. 1123+08.47, Rt.
Const. type "CG-3" inlet with sump
Inst. 12" storm sew. pipe - 16', S=-2.50%
5' depth
Inst. 12" storm sew. pipe - 54'
5' depth
- ㉗ Sta. 1123+09.28, 43.62' Rt.
Const. area drain
- ㉘ Sta. 1124+64.80, Lt.
Const. type "CG-3" inlet with sump
- ㉙ Sta. 1124+43.83, Rt.
Const. type "CG-3" inlet with sump
Inst. 12" storm sew. pipe - 135'
5' depth
- ⑳ Abandon pipe
- ㉑ Adjust inlet - 1
- ㉒ Maintain and protect PWB Conduit No. 3
Water pipes over 12-inch in diameter are
not shown for confidentiality. Contact
Portland Water Bureau for locations.
- ㉓ Relocate CTL underground communication
line (by others)
- ㉔ Relocate CTL communications riser (by others)
- ㉕ Adjust CTL communications manhole to finish grade
Minor Adjust Manhole - 1
Furnish non-slip cover. Box-out frame in PCCP.
- ㉖ Relocate Comcast underground communications
line (by others)
- ㉗ Adjust BES sanitary manhole to finish grade
Minor Adjust Manhole - 2
Method "B"
- ㉘ Maintain and protect BES sanitary line
- ㉙ Adjust BES sanitary cleanout - 1 valve box
- ㉚ Relocate NWN gas line (by others)
- ㉛ Adjust NWN gas valve box to finish grade - 1
- ㉜ Maintain and protect NWN gas line
- ㉝ Adjust PWB water valve box to finish grade - 9
- ㉞ Pothole buried PWB manhole - 1
- ㉟ Relocate PGE pole (by others)
- ㊱ Relocate PGE underground electric line (by others)
- ㊲ Relocate PGE junction box (by others)
- ㊳ Relocate CTL pole (by others)

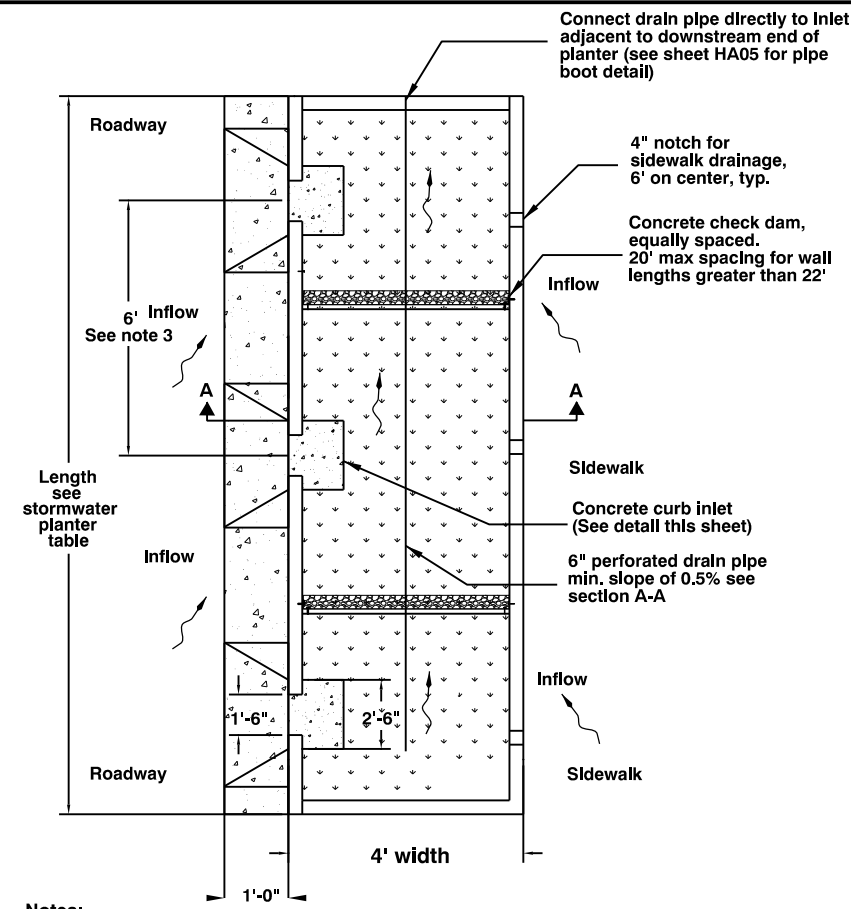


	HDR ENGINEERING, INC 1001 SW 5TH AVENUE, SUITE 1800 PORTLAND, OR 97204-1134 503.423.3700	
US26 (POWELL BLVD): SE 122ND AVE - SE 136TH AVE SEC. MT. HOOD HIGHWAY MULTNOMAH COUNTY		
Designer: Cory Gieseke Drafter: Cory Gieseke	Reviewer: Christine Higgins Checker: Kyle Donovan	SHEET NO. C04D
DRAINAGE AND UTILITIES - NOTES		

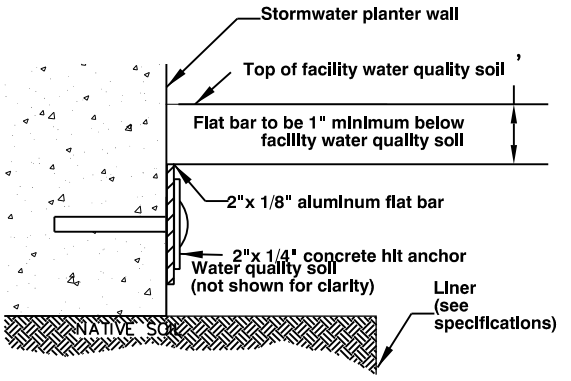
STORMWATER PLANTER TABLE							
DRAWING REFERENCE	STATION "P" ALIGNMENT	Lt/Rt CURBLINE	LENGTH (FT)	DFI no.	CHECK DAM (Y/N)	FULL LINER (Y/N)	SUB DRAIN (Y/N)
C02C	1108+65.00	Lt.	49.00	D01166	Y (2)	Y	Y
C04C	1118+39.60	Rt.	26.00	D01169	Y (1)	N	N
C04C	1120+45.15	Rt.	30.00	D01171	Y (1)	N	N
C04C	1122+37.00	Rt.	15.00	D01172	N	N	N
C05C	1127+34.15	Rt.	13.00	D01173	N	N	N
C07C	1139+35.05	Lt.	39.00	D01179	Y (1)	Y	Y



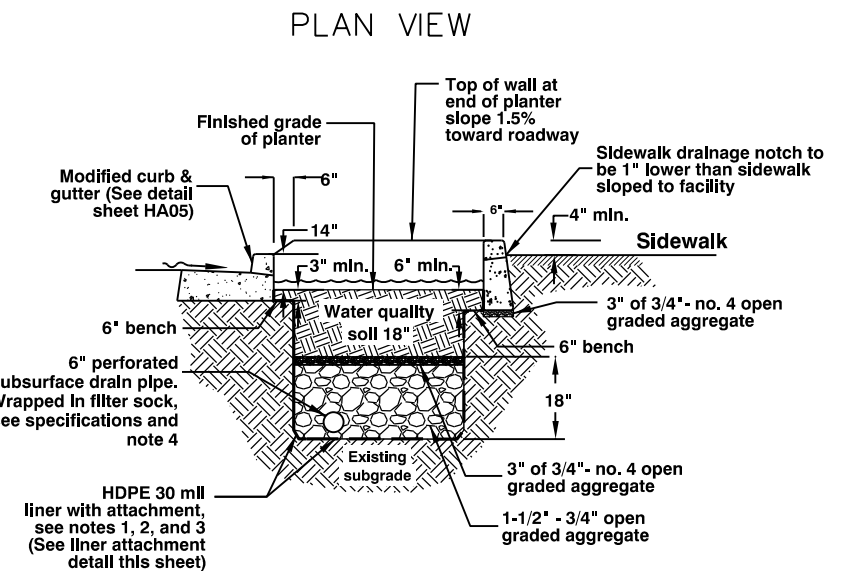
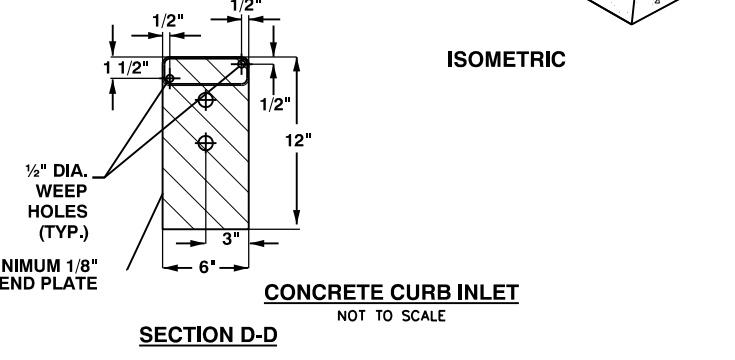
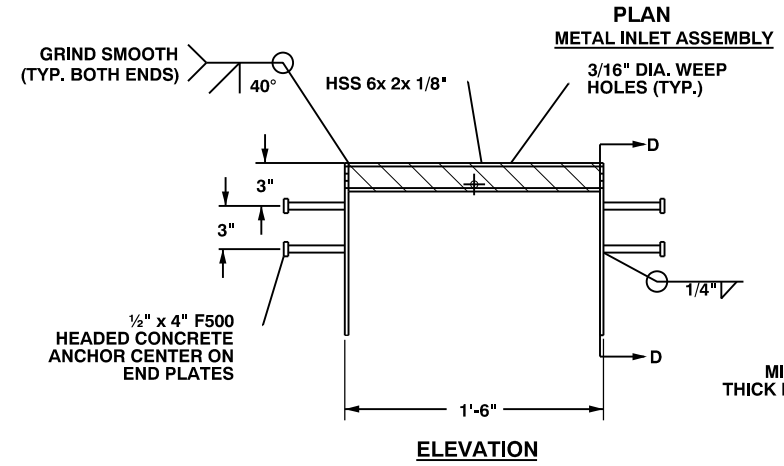
- Notes:
- Concrete splash pad elevation shall be level with soil inside planter.
 - Splash pad shall be six inches wider than inlet opening on both sides.



- Notes:
- Match longitudinal slope of planter to slope of the road.
 - If less than 18" is between splash pad and planter end wall, extend pad to wall.
 - Install inlets (6' on center) on all sides of facility that are not adjacent to sidewalk. install 4" notch (6' on center) where adjacent to sidewalk.



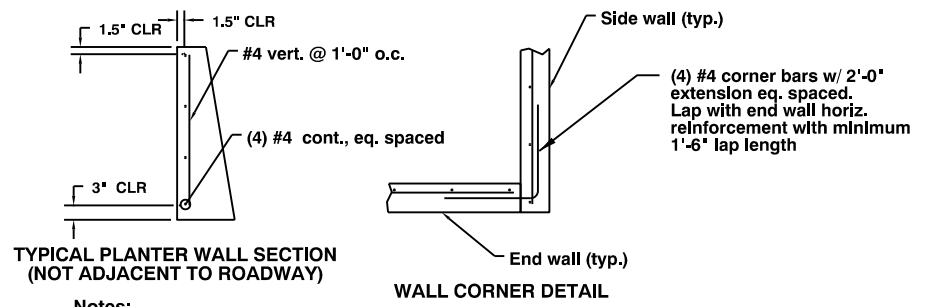
- Notes:
- Adhere liner to concrete with top coat tc moldable sealant, or approved equal.
 - Liner to extend from top of water quality soil to the bottom of excavation.
 - 3" of concrete is required on all sides of attachment. Adjust sidewalk depth as necessary.
 - Secure liner to concrete with 2" aluminum flat bar, placed as directed (around entire facility).
 - Attach flat bar with concrete hit anchors, 24" o.c.
 - Trim excess liner to the top of the flat bar.



- Notes:
- Partial or full liner required. See stormwater planter table (this sheet) for requirement.
 - Partial liner located along side of planter adjacent to roadway.
 - Full liner located along all sides of planter.
 - Drain pipe only required for fully lined planters.
 - Scarify the native soil 12" following the initial excavation and before installing water quality soil and rock.

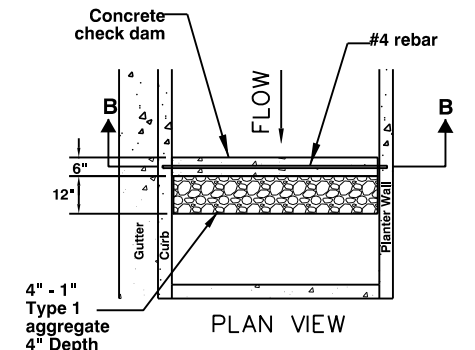
SECTION A-A
STORMWATER PLANTER DETAIL
NOT TO SCALE

LINER ATTACHMENT DETAIL
NOT TO SCALE

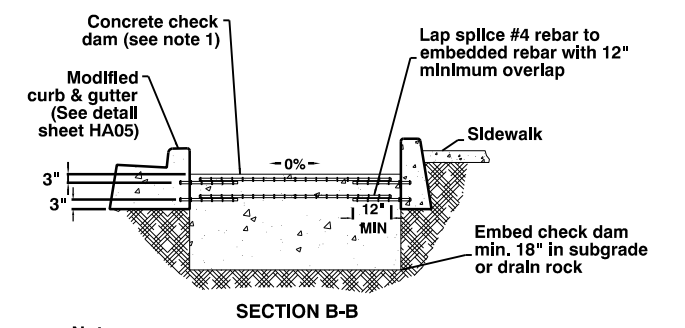


- Notes:
- Top of planter walls to be 4" higher than adjacent sidewalk.
 - Bottom of planter walls to be 6" below top of water quality soil.

PLANTER WALL
NOT TO SCALE

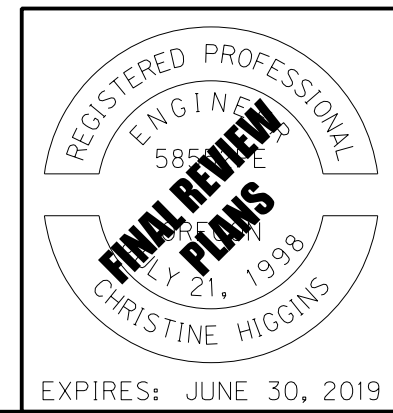


PLAN VIEW



- Notes:
- Top of dam elevation to be 2" lower than upstream curb depression elevation.
 - Concrete to be 3,000 psi.
 - Embed #4 rebar 3" into curb and planter wall.

CONCRETE CHECK DAM
NOT TO SCALE



HDR HDR ENGINEERING, INC
1001 SW 5TH AVENUE, SUITE 1800
PORTLAND, OR 97204-1134
503.423.3700



US26 (POWELL BLVD):
SE 122ND AVE - SE 136TH AVE SEC.
MT. HOOD HIGHWAY
MULTNOMAH COUNTY

Designer: Cory Gleseke Review: Christine Higgins
Drafter: Ryan Sheehan Checker: Kyle Donovan

DRAINAGE DETAILS

SHEET NO.
HA03