

OPERATIONS AND MAINTENANCE MANUAL

DFI No.: D01065

Facility Type: Water Quality Biofiltration Swale



April, 2020

INDEX

1. Identification
2. Facility Contact Information
3. Construction
4. Facility Overview
5. Facility Haz Mat Spill Feature(s)
6. Auxiliary Outlet (High Flow Bypass)
7. Maintenance Requirements
8. Waste Material Handling

APPENDIX A:	Operations Plan and Profile Drawing(s)
APPENDIX B:	ODOT Project Plan Sheets
APPENDIX C:	Photos

1. Identification

Drainage Facility ID (DFI): **D01065**
Facility Type: Water Quality Biofiltration Swale
Construction: 52V-013
Drawings:

Location: District: 5
Florence-Eugene Highway No. 62
Milepost: 30.97/30.99 (beg./end)

2. Facility Contact Information

Contact the Engineer of Record, Region Technical Center, or Geo-Environmental's Senior Hydraulics Engineer for:

- Operational clarification
- Maintenance clarification
- Repair or restoration assistance

Engineering Contacts:

Region Technical Center Hydraulics Engineer (503) 986-2691

Or

Geo-Environmental Senior Hydraulic Engineer (503) 986-3365

3. Construction

Engineer of Record: ODOT Designer - Region 2 Tech. Center,
Chris Carman, (503) 986-2691

Facility construction: 2019
Contractor: TBD
Contract #: 15126

4. Facility Overview

The swale is located at milepost 30.97 on the Florence-Eugene highway 62 on the north side of the highway. Treatment of pollutants from the highway are achieved through sedimentation and infiltration through the water quality mix shown in section B-B in the operational plan.

5. Facility Haz Mat Spill Feature(s)

The swale can be used to store a volume of liquid by blocking the outlet of the swale. A barrier such as a temporary berm made of sandbags could be used to prevent liquid from draining from the swale.

6. Auxiliary Outlet (High Flow Bypass)

This facility does not contain an auxiliary outlet feature. The facility was designed to receive runoff from the road and discharge into cross pipes.

7. Maintenance Requirements

Routine maintenance table for non-proprietary stormwater treatment and storage/detention facilities have been incorporated into ODOT's Maintenance Guide. These tables summarize the maintenance requirements for ponds, swales, filter strips, bioslopes, and detention tanks and vaults. Special maintenance requirements in addition to the routine requirements are noted below when applicable.

The ODOT Maintenance Guide can be viewed at the following website:

https://www.oregon.gov/ODOT/HWY/OOM/mg/02/act125_waterqualityfacil_andtables.pdf

The following stormwater facility maintenance table (See ODOT Maintenance Guide) should be used to maintain the facility outlined in this Operation and Maintenance Manual or follow the Maintenance requirements outlined in Appendix C when proprietary structure is selected below:

- Table 1 (general maintenance)
- Table 2 (stormwater ponds)
- Table 3 (water quality biofiltration swales)
- Table 4 (water quality filter strips)
- Table 5 (water quality bioslopes)
- Table 6 (detention tank)
- Table 7 (detention vault)
- Appendix C (proprietary structure)
- Special Maintenance requirements:

8. Waste Material Handling

Material removed from the facility is defined as waste by DEQ. Refer to the roadwaste section 5.18 of the ODOT Maintenance Yard Environmental Management System (EMS) Policy and Procedures Manual for disposal options:

https://www.oregon.gov/ODOT/HWY/OOM/EMSdoc/ems_manual.pdf

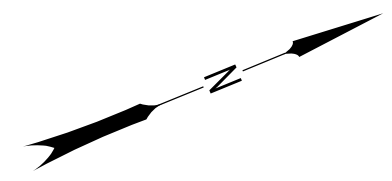
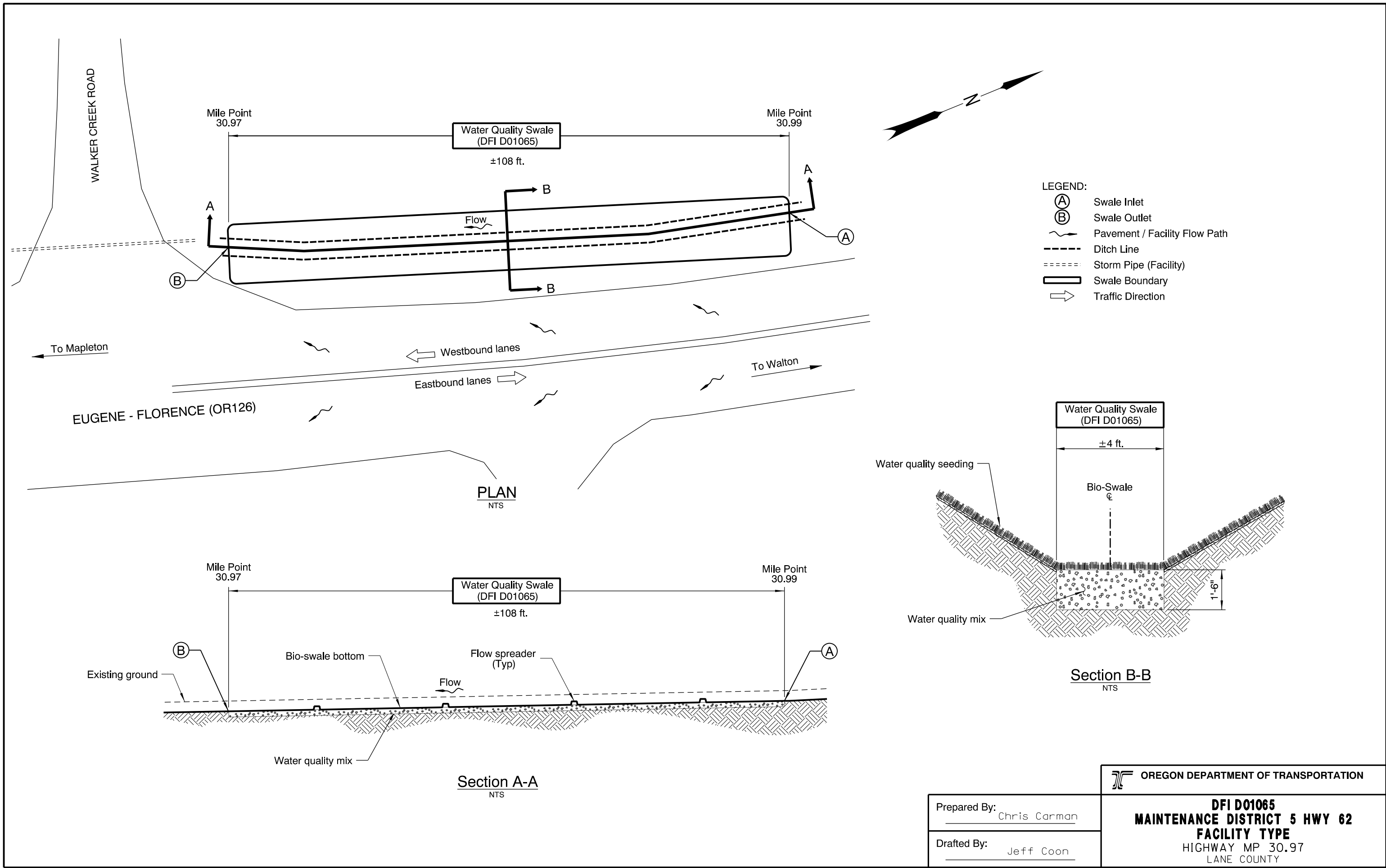
Contact any of the following for more detailed information about management of waste materials found on site:

ODOT Clean Water Unit	(503) 986-3008
ODOT Statewide Hazmat Coordinator	(503) 229-5129
ODOT Region Hazmat Coordinator	(503) 986-2647
ODEQ Northwest Region Office	(503) 229-5263

Appendix A

Content:

- **Operational Plan and Profile Drawing(s)**



- LEGEND:
- (A) Swale Inlet
 - (B) Swale Outlet
 - ~ Pavement / Facility Flow Path
 - - - Ditch Line
 - ==== Storm Pipe (Facility)
 - ▭ Swale Boundary
 - ➔ Traffic Direction

PLAN
NTS

Section A-A
NTS

Section B-B
NTS

OREGON DEPARTMENT OF TRANSPORTATION

Prepared By: Chris Carman
 Drafted By: Jeff Coon

DFI D01065
MAINTENANCE DISTRICT 5 HWY 62
FACILITY TYPE
 HIGHWAY MP 30.97
 LANE COUNTY

Appendix B

Content:

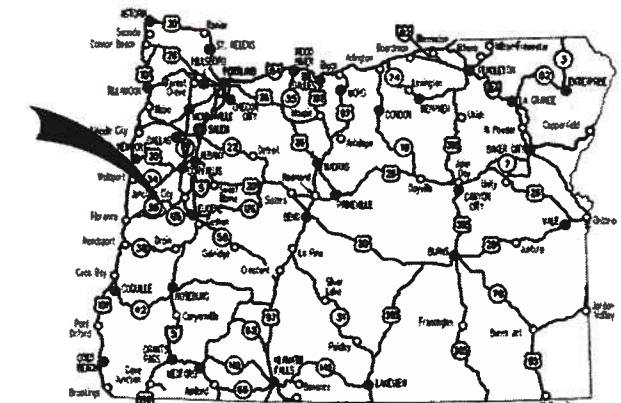
- **ODOT Project Plan Sheets**
 - *Cover/Title Sheet*
 - *Water Quality/Detention Plan Sheets*
 - *Other Details*

INDEX OF SHEETS	
SHEET NO.	DESCRIPTION
A01	Title Sheet
A02	Index Of Sheets Cont'd. & Std. Drg. Nos.
A03 Thru A07 Incl.	Survey Control Data

STATE OF OREGON
 DEPARTMENT OF TRANSPORTATION

PLANS FOR PROPOSED PROJECT
 GRADING, PAVING & SIGNING

OR126: WALKER CREEK - CHICKAHOMINY CREEK SEC.
 FLORENCE - EUGENE HWY.



Overall Length Of Project - 0.8 Miles

ATTENTION:
 Oregon Law Requires You To Follow Rules
 Adopted By The Oregon Utility Notification
 Center. Those Rules Are Set Forth In
 OAR 952-001-0010 Through OAR 952-001-0090.
 You May Obtain Copies Of The Rules By Calling
 The Center. (Note: The Telephone Number For
 The Oregon Utility Center Is (503) 232-1987.)



OREGON TRANSPORTATION COMMISSION
 Tammy Boney CHAIR
 Bob Van Brocklin VICE-CHAIR
 Alando Simpson COMMISSIONER
 Julie Brown COMMISSIONER
 Martin Callery COMMISSIONER
 Matthew L. Garrett DIRECTOR OF TRANSPORTATION

These plans were developed using ODOT design standards.
 Exceptions to these standards, if any, have been submitted
 and approved by the ODOT Chief Engineer or their delegated
 authority.

Approving Authority: James E. West Dec 12 2018 8:26 AM
 Signature & date
 James E. West - R2 Tech Center Manager
 Print name and title
 Steven B Cooley Dec 14 2018 11:12 AM
 Concurrence by ODOT Chief Engineer

OR126: WALKER CREEK - CHICKAHOMINY CREEK SEC.
 FLORENCE - EUGENE HWY.
 LANE COUNTY

FEDERAL HIGHWAY ADMINISTRATION	PROJECT NUMBER	SHEET NO.
OREGON	STATE	A01

LANE COUNTY
 DECEMBER 2018

CONTRACT LIMITS
 (M.P. 34.03)

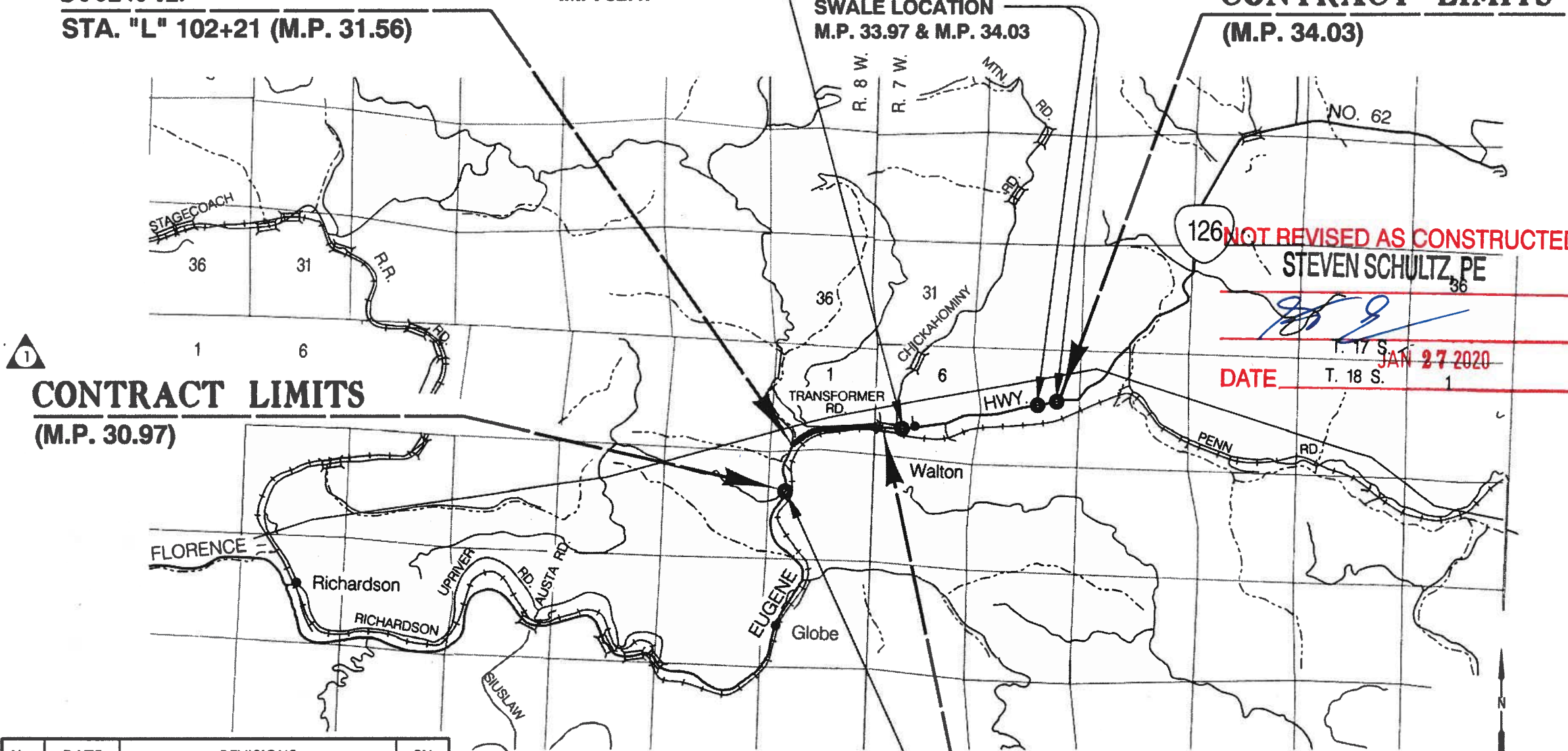
BEGINNING OF PROJECT
 S062(041)
 STA. "L" 102+21 (M.P. 31.56)

SWALE LOCATION
 M.P. 32.47

SWALE LOCATION
 M.P. 33.97 & M.P. 34.03

SWALE LOCATION
 M.P. 30.97

END OF PROJECT
 S062(041)
 STA. "L" 145+70 (M.P. 32.36)



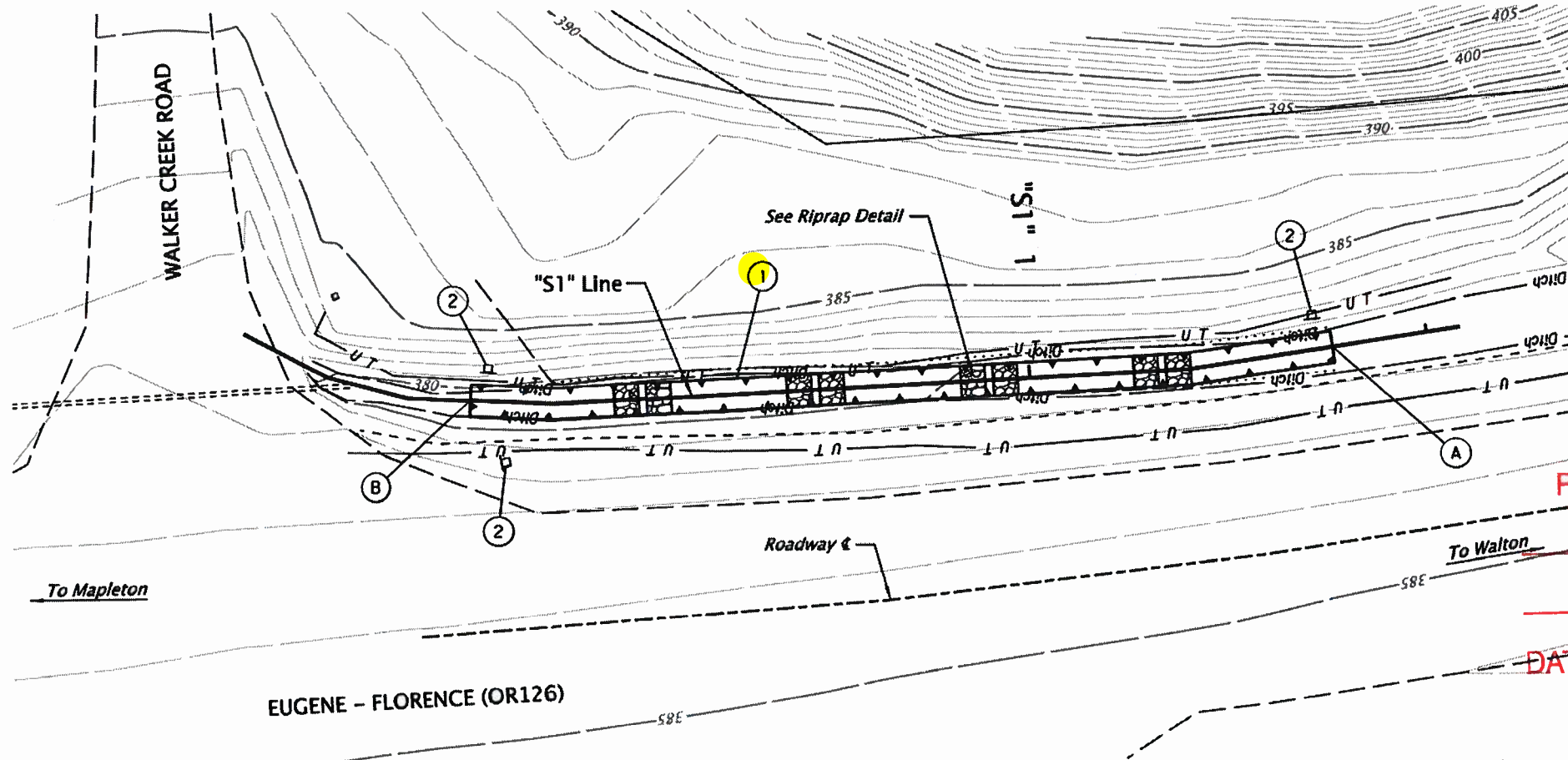
CONTRACT LIMITS
 (M.P. 30.97)

NOT REVISED AS CONSTRUCTED
 STEVEN SCHULTZ, PE
 DATE JAN 27 2020
 T. 17 S. R. 7 W. S. 1
 T. 18 S. R. 7 & 8 W., W.M.

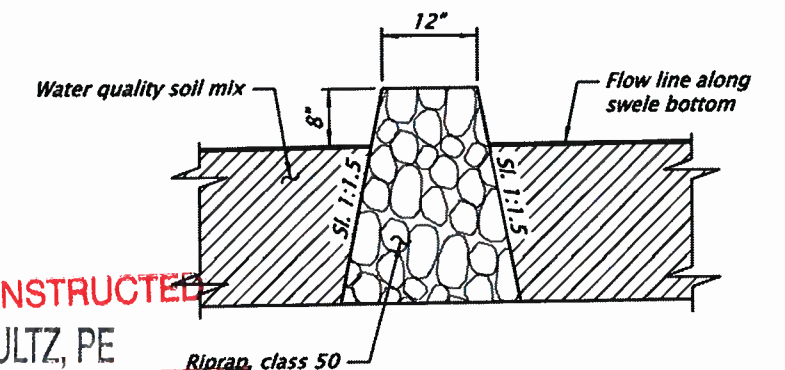
No.	DATE	REVISIONS	BY
1	12-13-18	Added contract limits	S.T.

PE002619

MILEPOINT 30.97



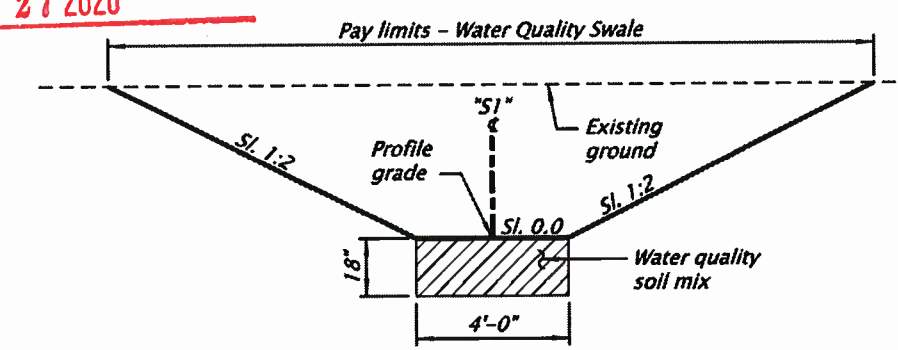
- ① Sta. "S1"0+30.00 to "S1"1+38.00
Construct Water Quality Swale No. D01065
Excavation - 28 cu. yd.
Water Quality Soil Mix - 28 cu. yd.
Loose Riprap (Class 50) - 7 cu. yd.
- ② Install Stormwater Facility Marker
(See dwg. RD399)



RIPRAP DETAIL

REVISED AS CONSTRUCTED
STEVEN SCHULTZ, PE
[Signature]

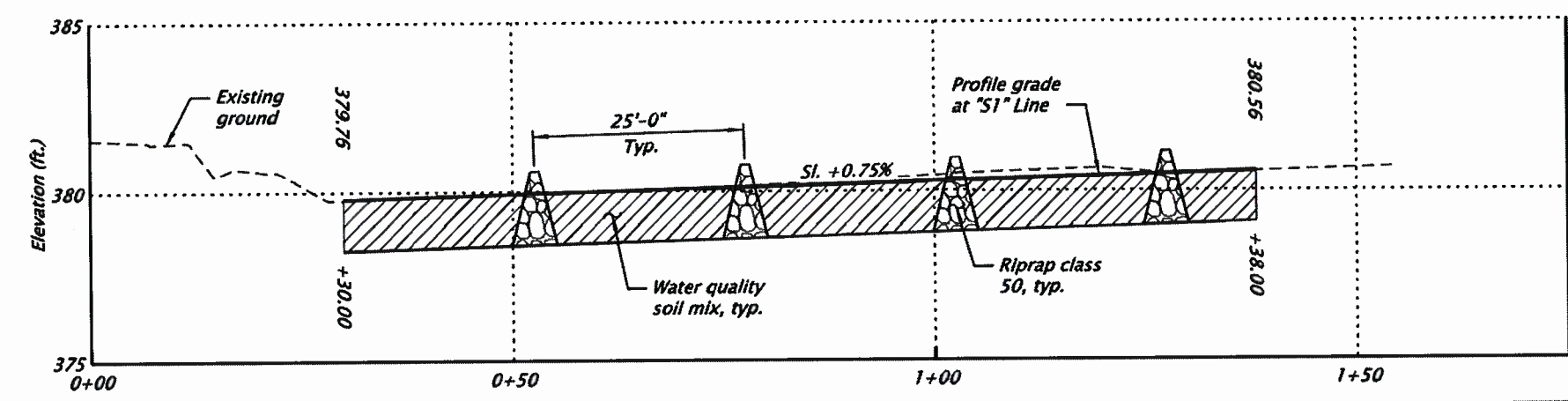
DATE JAN 27 2020



TYPICAL SECTION

PLAN

Point	Longitude	Latitude
A	-123°36'31"	44°01'15"
B	-123°36'31"	44°01'16"



PROFILE ALONG "S1" LINE AT MP 30.97

Elevations shown are based on North American Vertical Datum (1988)

Note:
All slopes shown as vertical to horizontal or percentage.

REGISTERED PROFESSIONAL ENGINEER
17,807
Digitally Signed Oct 17 2018 2:05 PM
OREGON
JULY 25, 1995
CHRIS CARMAN

OREGON DEPARTMENT OF TRANSPORTATION

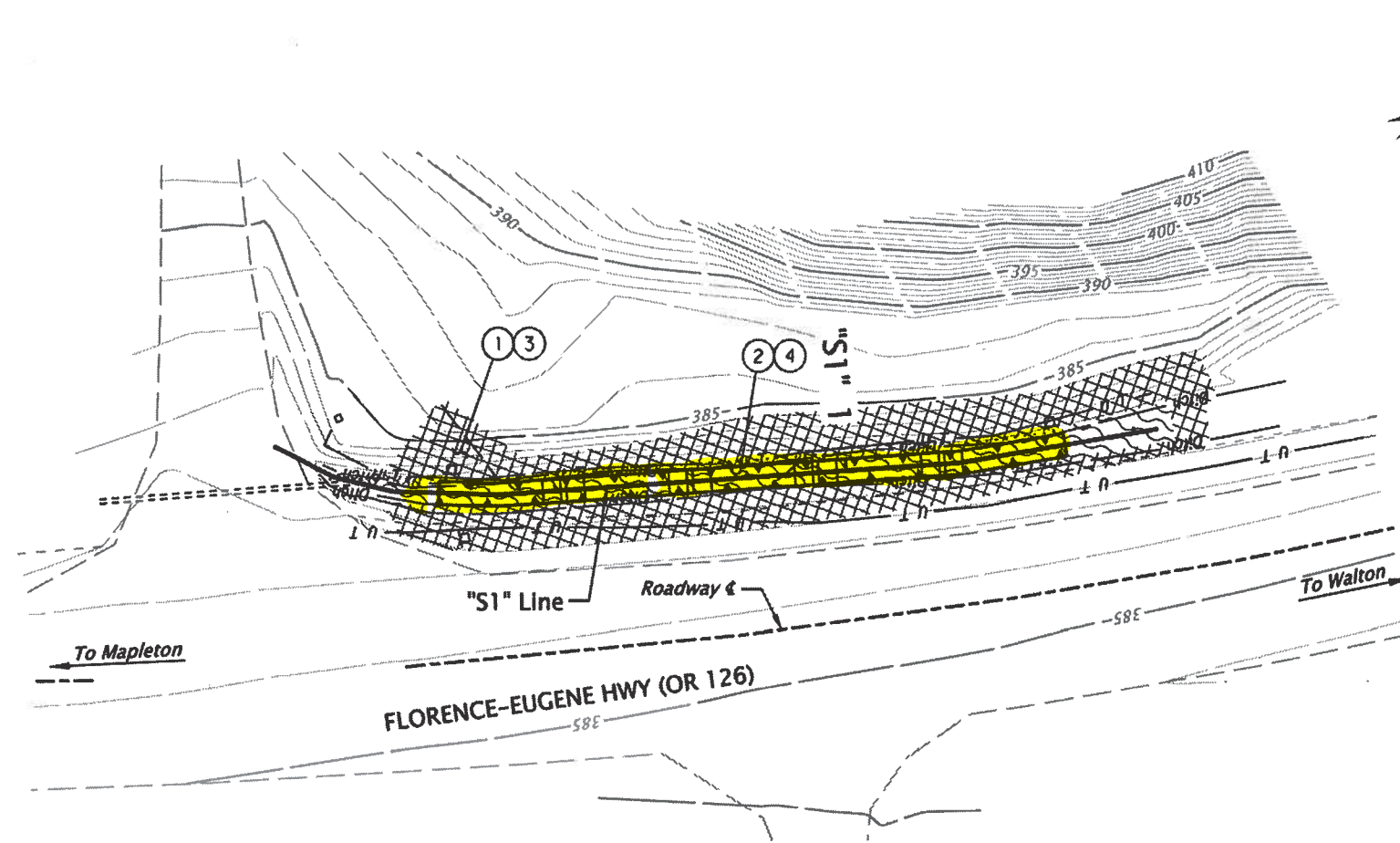
OR126: WALKER CREEK - CHICKAHOMINY CREEK SEC.
FLORENCE - EUGENE HIGHWAY.
LANE COUNTY

Designer: Chris Carman
Reviewer: Bo Miller
Drafter: Michael Skelton
Checker: Name

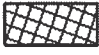


STORMWATER SHEET NO. HA01

HWY: 126
M.P.: 30.97
TRS
N/A
DFI/TSSU NO.
D01065


RENEWS: 12-31-2019




LEGEND AND NOTES:

- ① *Inst. Permanent seeding mix #1* —  *At cut and fill slopes*
 - ② *Inst. Permanent seeding mix #2* — 
 - ③ *Inst. matting, Type D over Permanent seeding mix #1*
 - ④ *Inst. matting, Type F over Permanent seeding mix #2 and on slopes 1V:2H or greater*
-  *Water Quality Biofiltration Swale*



REVISED AS CONSTRUCTED
 STEVEN SCHULTZ, PE

 DATE JAN 27 2020

REGISTERED
 0938
 Digital Signature Nov 8 2018 6:27 PM
 CELINE LIVENGOOD
 OREGON
 06/06/17
LANDSCAPE ARCHITECT
 EXPIRES: 06-30-2019

OREGON DEPARTMENT OF TRANSPORTATION 	
OR126: WALKER CREEK - CHICKAHOMINY CREEK SEC. FLORENCE - EUGENE HIGHWAY. LANE COUNTY	
Designer: Celine Livengood Drafter: Michael Skelton	Reviewer: Bob Marshall Checker: N/A
ROADSIDE DEVELOPMENT PLAN	SHEET NO. FA02

Appendix C

Content:

- Photos



