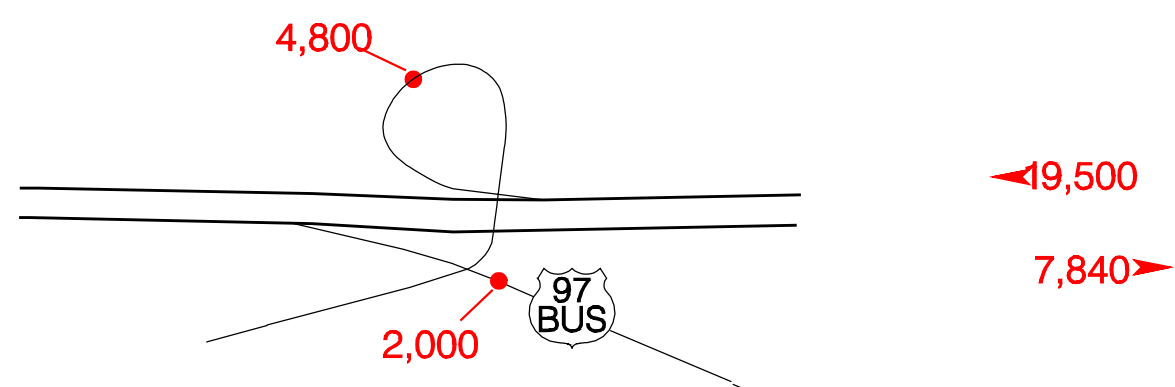
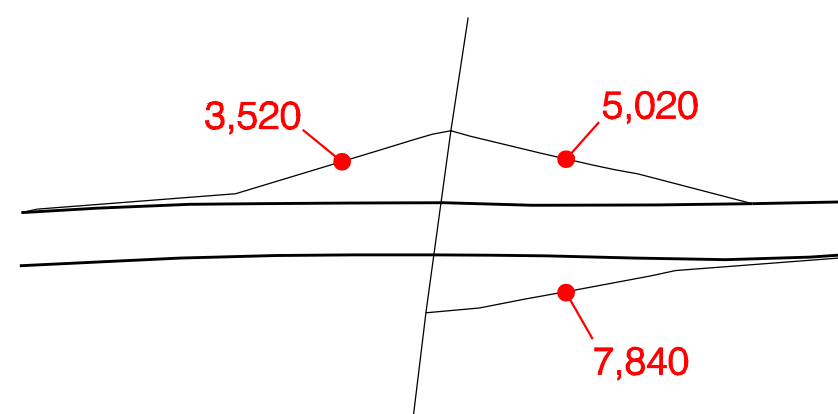


# US 97 INTERCHANGES

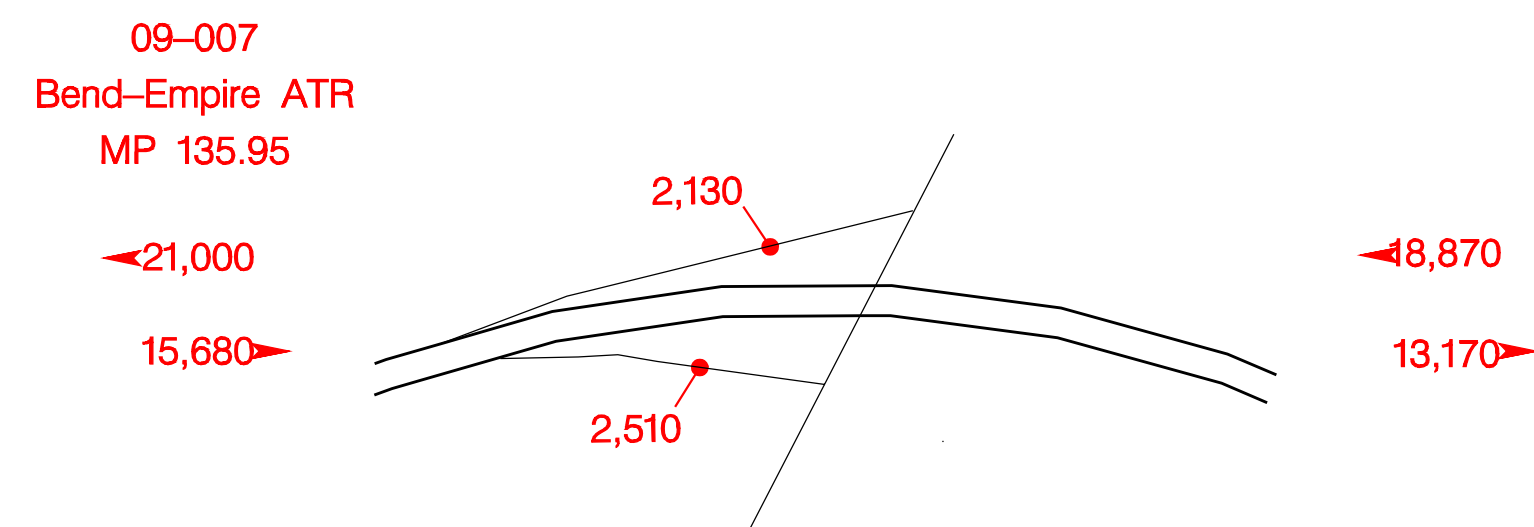
McKenzie–Bend Hwy. – Exit 135A



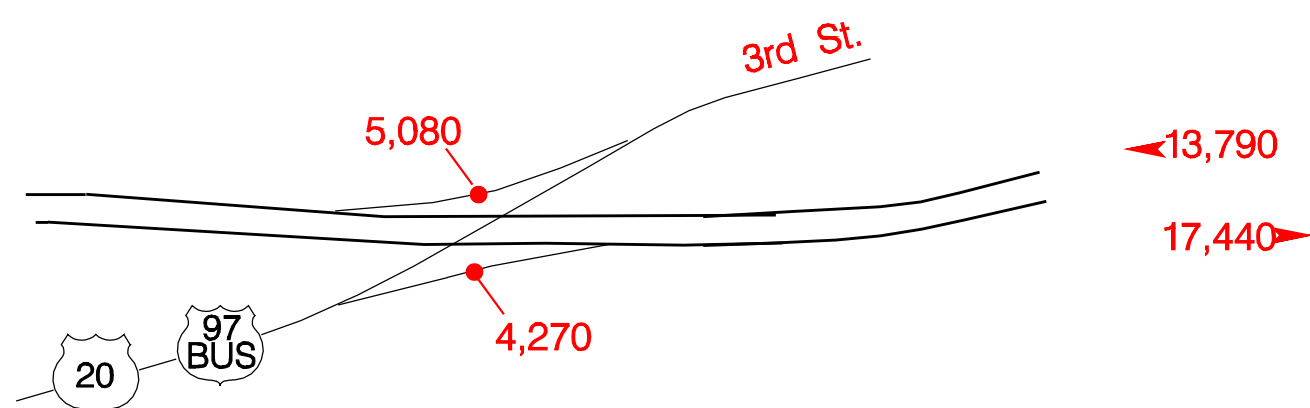
Empire Blvd. – Exit 135B



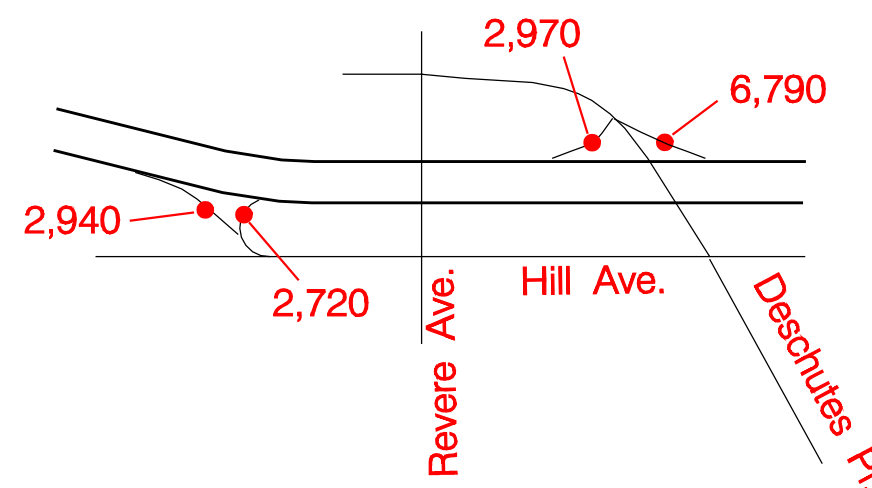
Butler Market Rd. – Exit 136



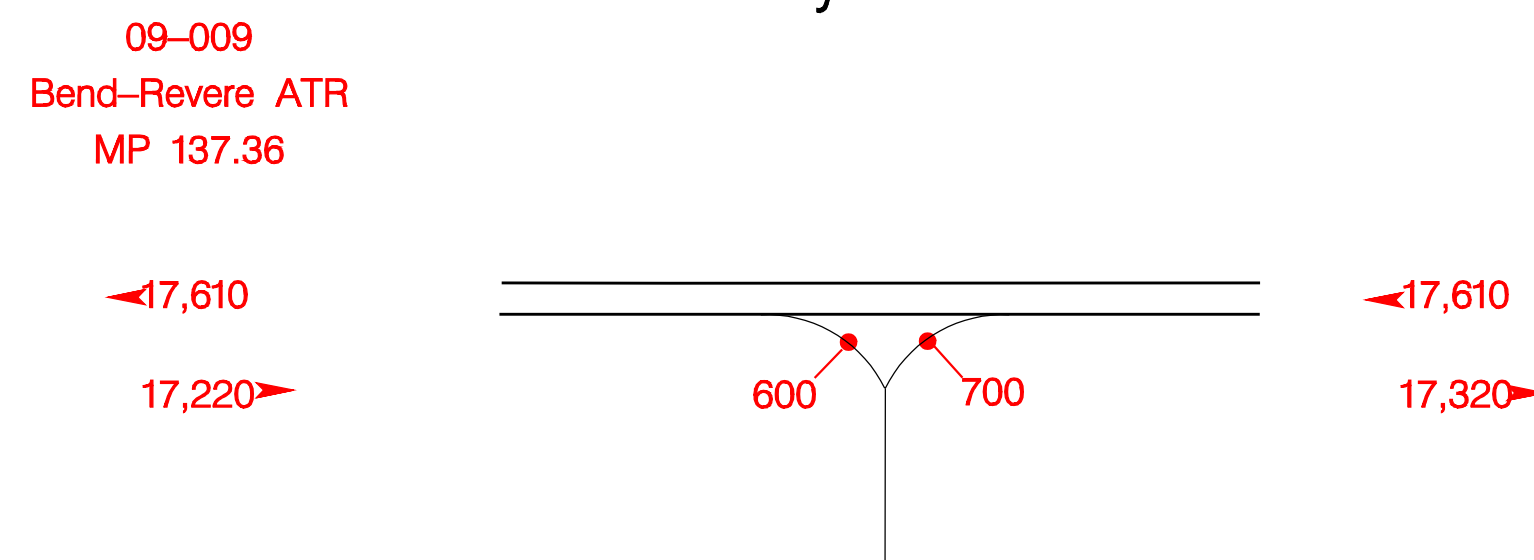
US20 – 3rd St



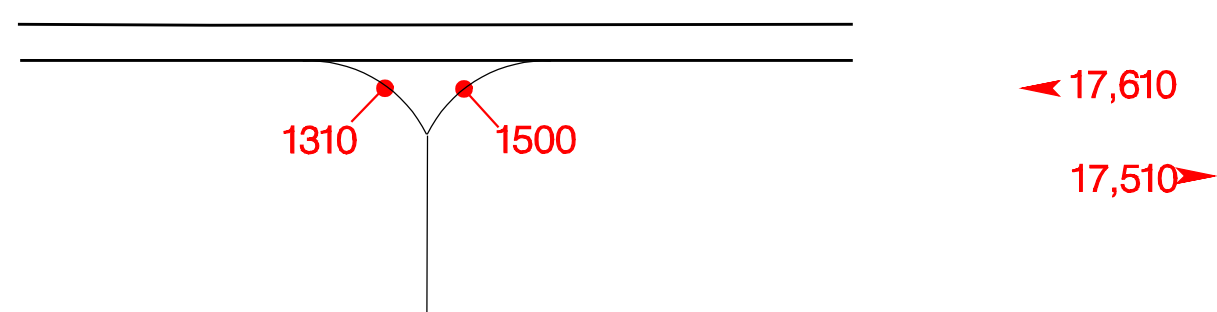
Revere Ave. – Exit 137



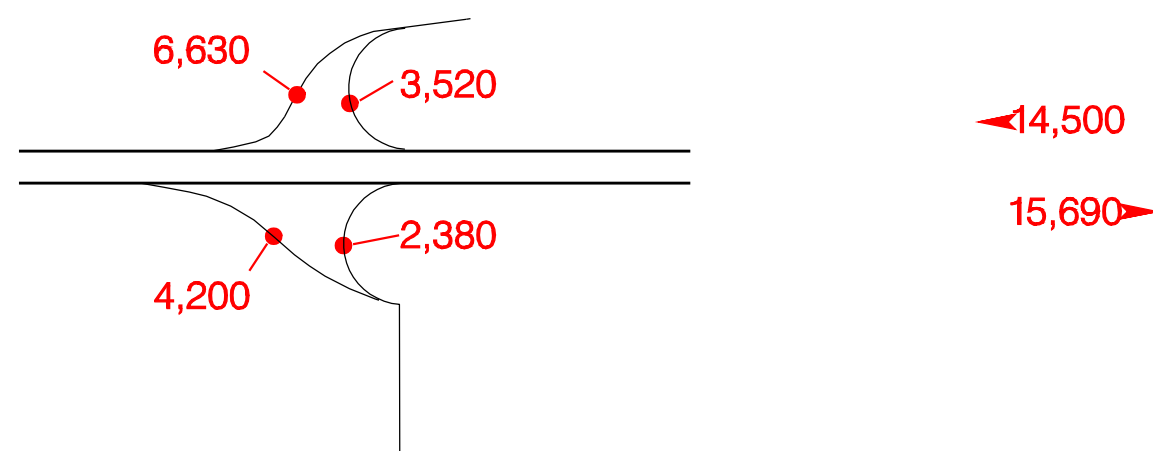
Lafayette Ave.



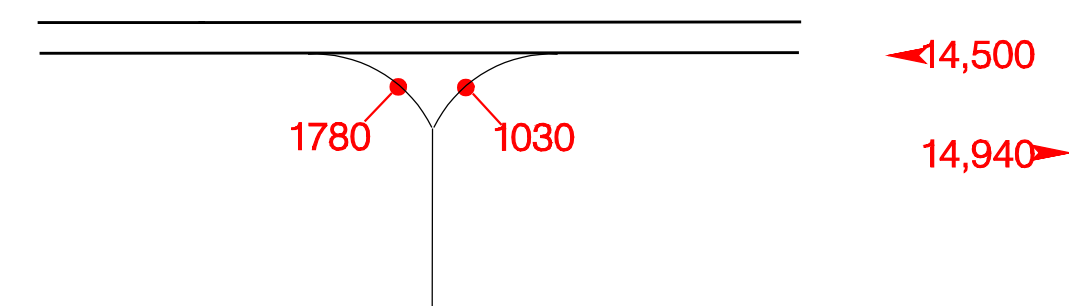
Hawthorne Ave.



Colorado Ave. – Exit 138

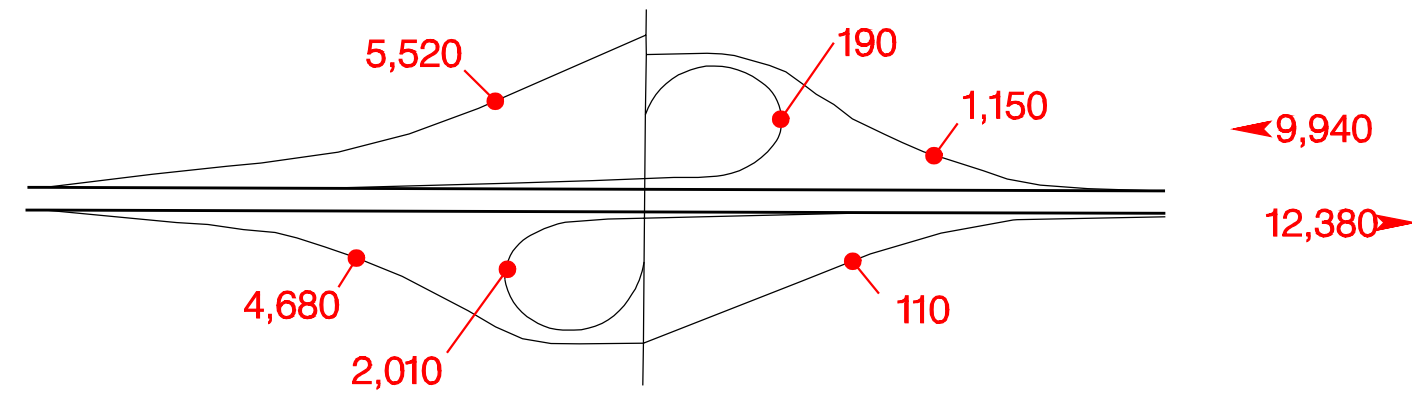


Truman Ave.

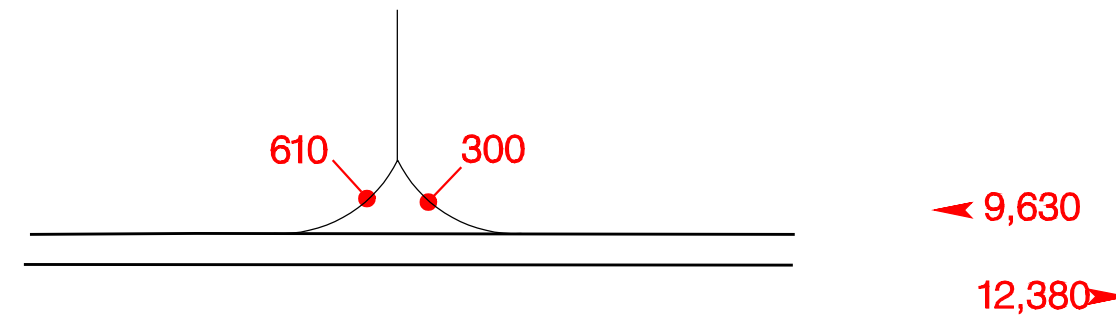


US  INTERCHANGES

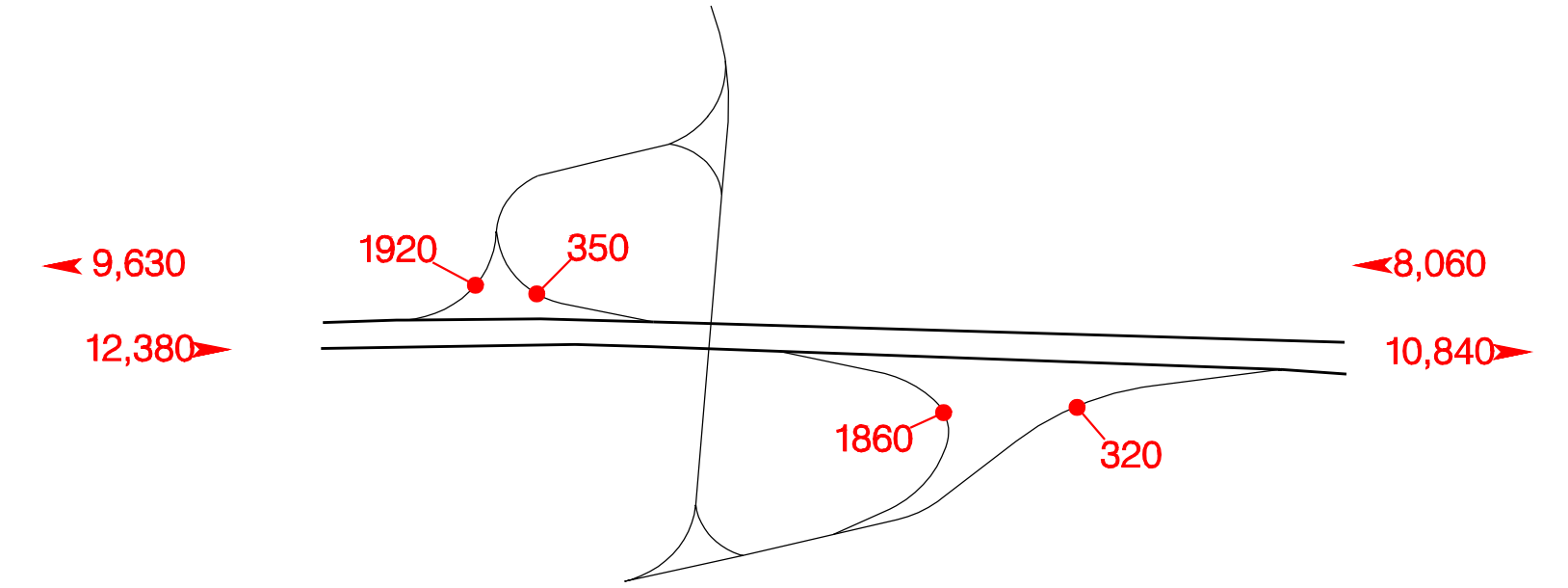
Reed Market Rd. – Exit 139



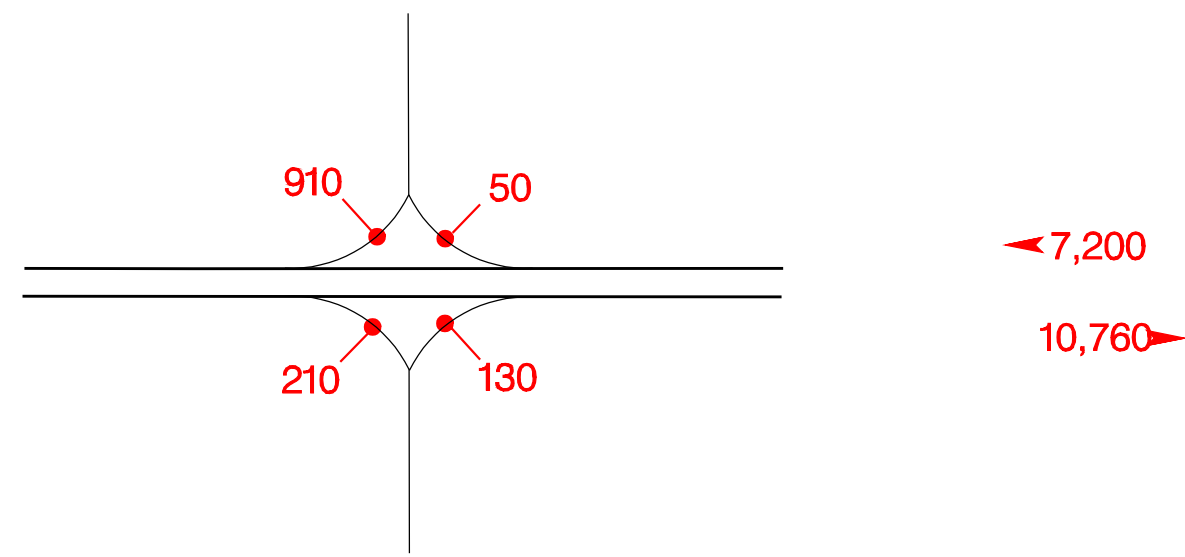
Reed Rd.



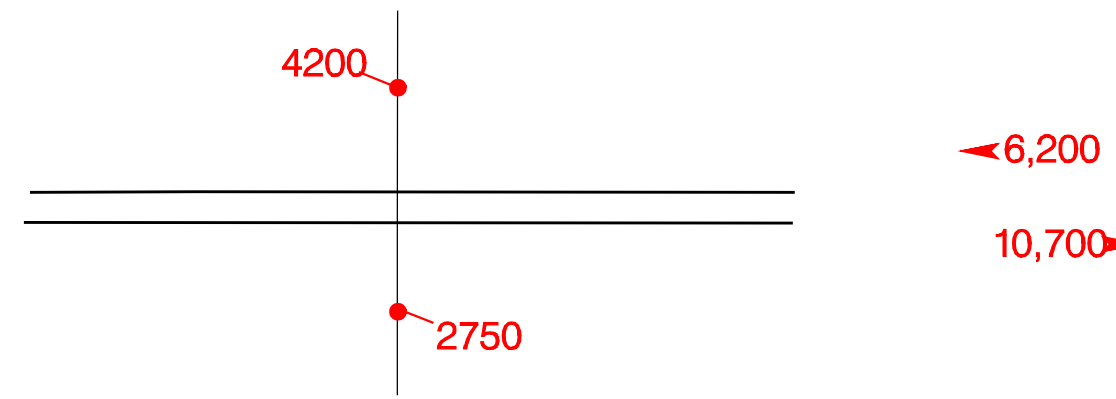
Powers Rd. – Exit 140



Badger Rd.



Pinebrook Blvd.



South End of Parkway

